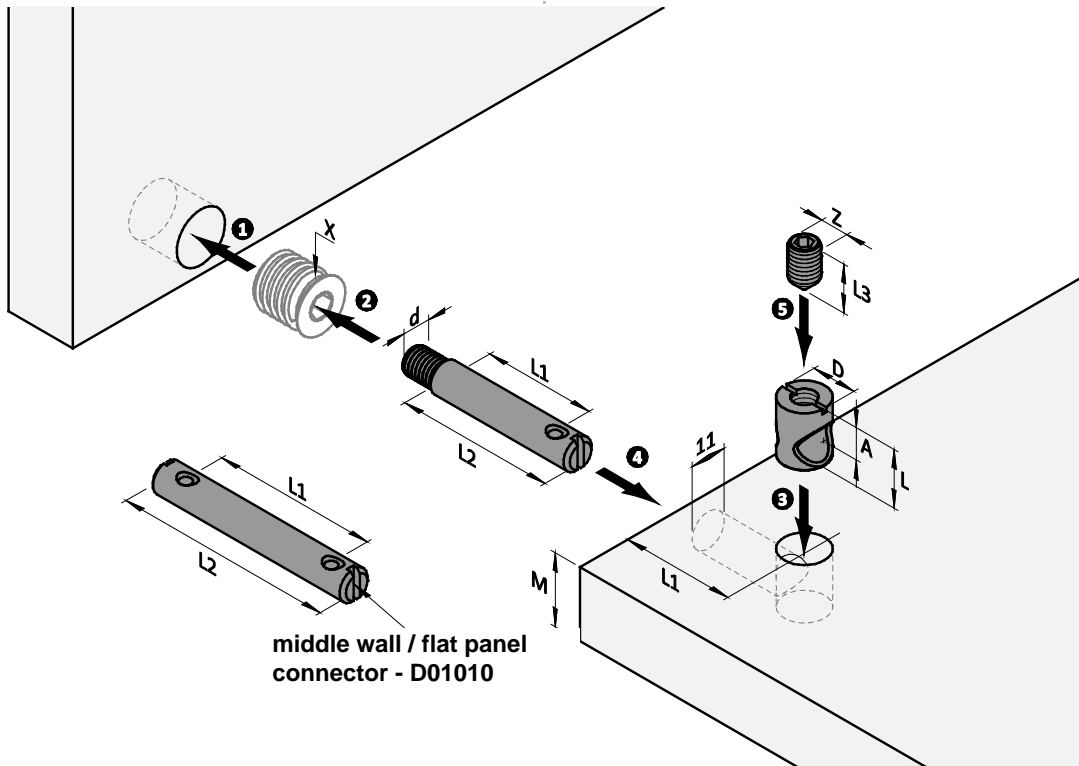


XS Corner Connector

- Consisting of:
- XS Housing $\varnothing 15$ mm
 - XS Steel Dowel $\varnothing 10$ mm
 - XS Grub Screw M10, ISK (hexagon)
 - Insert M6, M8



middle wall / flat panel connector - D01010

Housing $\varnothing 15$ mm						Grub Screw M10				Steel Dowel $\varnothing 10$ mm					
order-no.	Material M	L	A	D	qty	order-no.	L3	Z	qty	order-no.	L1	L2	d	qty	
D01035	20	17	10,0	15	10	→	D01036	10,0	SW5	10	D01013	20	27,5	M6x11	10
D01002	22	19	12,0	15	10	→	D01005	12,0	SW5	10	D01006	30	37,5	M6x11	10
D01003	24-28	21	14,0	15	10	→	D01005	12,0	SW5	10	D01007	30	37,5	M8x11	10
D01004	30	28	13,0	15	10	→	D01005	12,0	SW5	10	D01008	33	40,0	EURO $\varnothing 6 \times 18$	10
											D01014	85	92,0	M8x11	10
											P D01015	60	71,5	M8x11	10
											D01010	64	82	Double dowel	5

Corner Connection Type 20xx set L1=20, d=M6x11						
Qoder no.	Type	Material thicknes	Components			Pack Qty.
			housing	Grub Screw	Dowel	
D01035S20	2020	20	10x D01035	10 x D01036	10x D01013	10
D01002S20	2022	22	10x D01002	10x D01005	10x D01013	10
D01003S20	2024	24-28	10x D01003	10x D01005	10x D01013	10
D01004S20	2028	30	10x D01004	10x D01005	10x D01013	10

Corner Connection Type 30xx set L1=30, d=M6x11						
Qoder no.	Type	Material thicknes	Components			Pack Qty.
			housing	Grub Screw	Dowel	
D01035S30	3020	20	10x D01035	10 x D01036	10x D01006	10
D01002S30	3022	22	10x D01002	10x D01005	10x D01006	10
D01003S30	3024	24-28	10x D01003	10x D01005	10x D01006	10
D01004S30	3028	30	10x D01004	10x D01005	10x D01006	10

Please note: to order connector set please quote order no. e.g. D01035S20 (this includes appropriate housing, grub screw and dowel) does not include socket alternatively you can order individual components e.g. D01002 + D01005 + D01008

→: Combine Housing with this Grub Screw

X: Matching Inserts on page 45

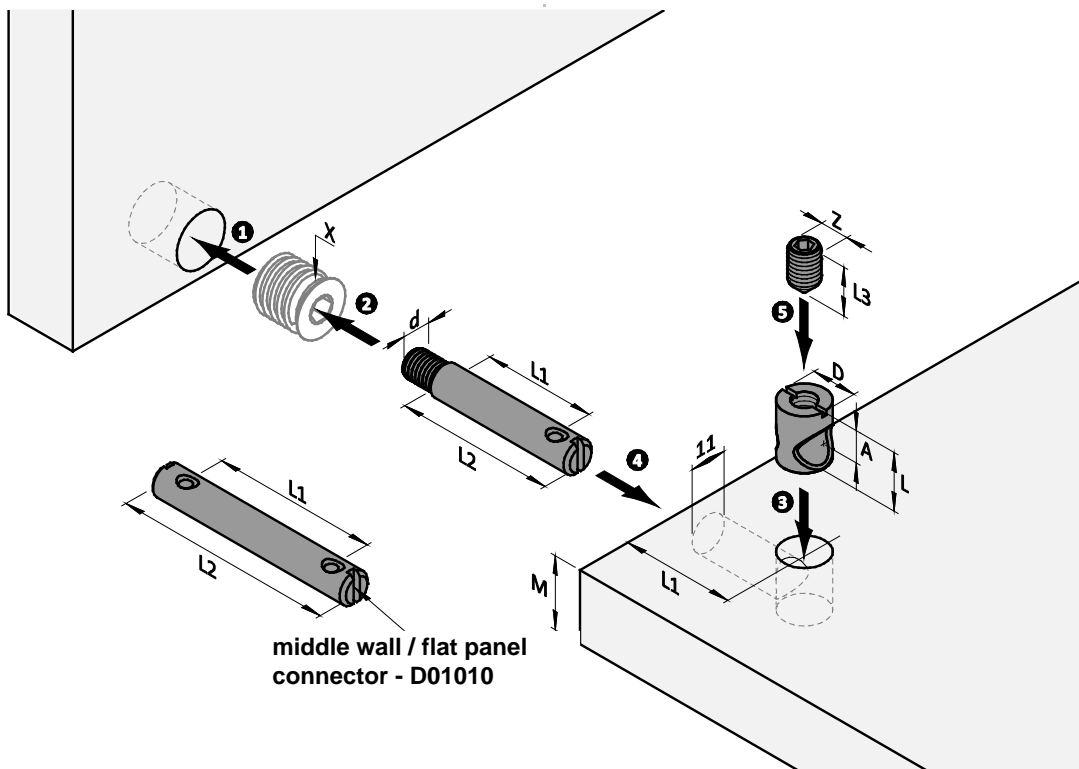
M: Board thickness; All dimensions in mm

EURO-thread for $\varnothing 5$ mm hole

P: Special dowel "P" for upholstered frames to override tension. Tightening distance approx 10 mm.

XS Corner Connector

- Consisting of:
- XS Housing $\phi 15$ mm
 - XS Grub Screw M10, ISK (hexagon)
 - XS Steel Dowel $\phi 10$ mm
 - Insert M6, M8



middle wall / flat panel connector - D01010

Housing $\phi 15$ mm						Grub Screw M10				Steel Dowel $\phi 10$ mm				
order-no.	Material M	L	A	D	qty	order-no.	L3	Z	qty	order-no.	L1	L2	d	qty
D01035	20	17	10,0	15	10	D01036	10,0	SW5	10	D01013	20	27,5	M6x11	10
D01002	22	19	12,0	15	10	D01005	12,0	SW5	10	D01006	30	37,5	M6x11	10
D01003	24-28	21	14,0	15	10	D01005	12,0	SW5	10	D01007	30	37,5	M8x11	10
D01004	30	28	13,0	15	10	D01005	12,0	SW5	10	D01008	33	40,0	EURO $\phi 6 \times 18$	10
										D01014	85	92,0	M8x11	10
										D01015	60	71,5	M8x11	10
										D01010	64	82	Double dowel	5

Corner Connection set Type 85xx L1=85, d=M8x11						
Qoder no.	Type	Material thicknes	Components			Pack Qty.
			housing	Grub Screw	Dowel	
D01035S85	8520	20	10x D01035	10 x D01036	10x D01014	10
D01002S85	8522	22	10x D01002	10x D01005	10x D01014	10
D01003S85	8524	24-28	10x D01003	10x D01005	10x D01014	10
D01004S85	8528	30	10x D01004	10x D01005	10x D01014	10

Corner Connection Type 60Pxx set P L1=60, d=M8x11						
Qoder no.	Type	Material thicknes	Components			Pack Qty.
			housing	Grub Screw	Dowel	
D01035S60P	60P20	20	10x D01035	10 x D01036	10x D01015	10
D01002S60P	60P22	22	10x D01002	10x D01005	10x D01015	10
D01003S60P	60P24	24-28	10x D01003	10x D01005	10x D01015	10
D01004S60P	60P28	30	10x D01004	10x D01005	10x D01015	10

Please note: to order connector set please quote order no. e.g. D01035S20 (this includes appropriate housing, grub screw and dowel) does not include socket alternatively you can order individual components e.g. D01002 + D01005 + D01008

→: Combine Housing with this Grub Screw

X: Matching Inserts on page 45

M: Board thickness; All dimensions in mm

EURO-thread for $\phi 5$ mm hole

P: Special dowel "P" for upholstered frames to override tension. Tightening distance approx 10 mm.

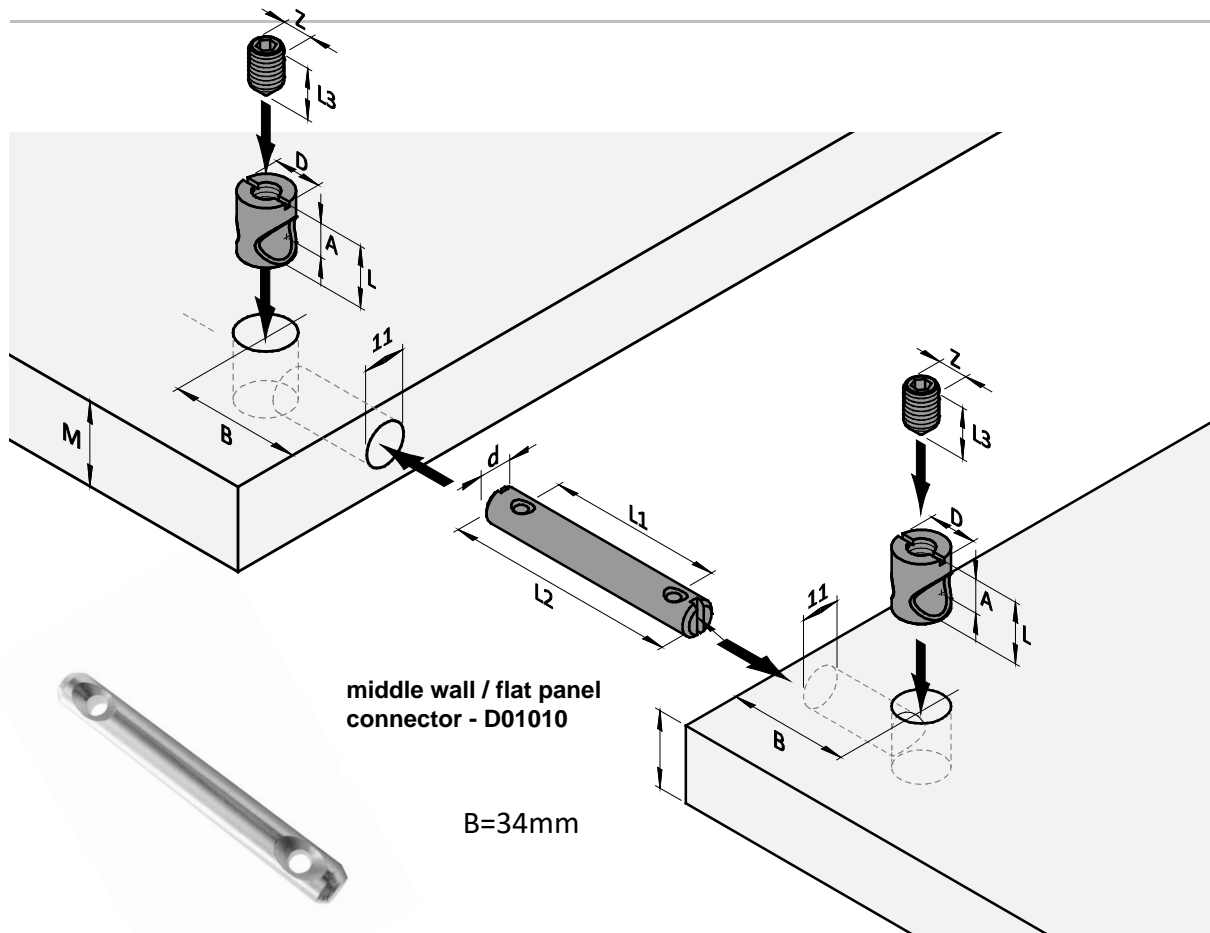
XS Middle wall/Panel Connector

Consisting of: ▪ XS Housing $\phi 15$ mm

▪ XS Steel Dowel $\phi 10$ mm

▪ XS Grub Screw M10, ISK (hexagon)

▪ Insert M6, M8



middle wall / flat panel connector - D01010

B=34mm

Housing $\phi 15$ mm						Grub Screw M10				Steel Dowel $\phi 10$ mm					
order-no.	Material M	L	A	D	qty	order-no.	L3	Z	qty	order-no.	L1	L2	d	qty	
D01035	20	17	10,0	15	10	→	D01036	10,0	SW5	10	D01013	20	27,5	M6x11	10
D01002	22	19	12,0	15	10	→	D01005	12,0	SW5	10	D01006	30	37,5	M6x11	10
D01003	24-28	21	14,0	15	10	→	D01005	12,0	SW5	10	D01007	30	37,5	M8x11	10
D01004	30	28	13,0	15	10	→	D01005	12,0	SW5	10	D01008	33	40,0	EURO $\phi 6 \times 18$	10
											D01014	85	92,0	M8x11	10
											D01015	60	71,5	M8x11	10
											D01010	64	82	Double dowel	5

Flat panel Connection Type 64Dxx set L1=64						
Order no.	Type	Material thickness	Components			Pack Qty.
			housing	Grub Screw	Dowel	
D01035S64D	64D20	20	10x D01035	10 x D01036	5x D01010	5
D01002S64D	64D22	22	10x D01002	10x D01005	5x D01010	5
D01003S64D	64D24	24-28	10x D01003	10x D01005	5x D01010	5
D01004S64D	64D28	30	10x D01004	10x D01005	5x D01010	5

Please note: to order connector set please quote order no. e.g. D01035S20 (this includes appropriate housing, grub screw and dowel) does not include socket alternatively you can order individual components e.g. D01002 + D01005 + D01008

→: Combine Housing with this Grub Screw

X: Matching Inserts on page 45

M: Board thickness; All dimensions in mm

EURO-thread for $\phi 5$ mm hole

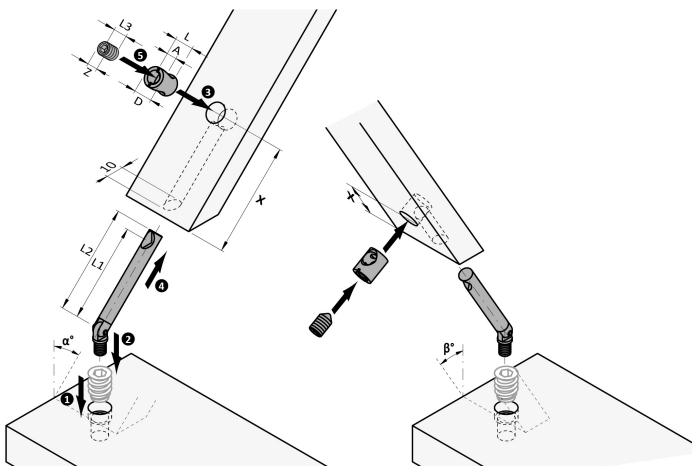
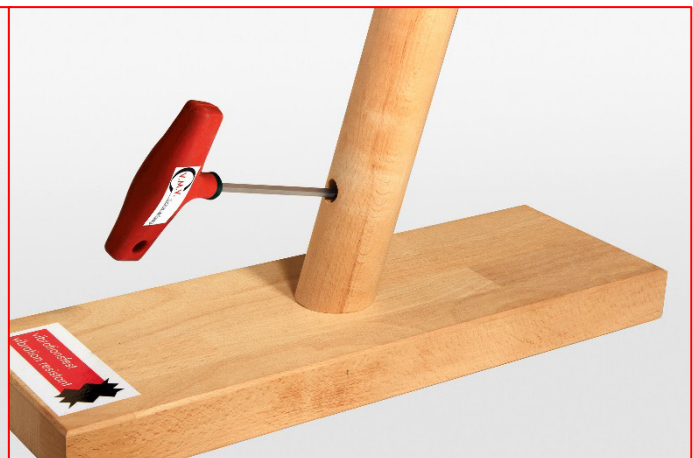
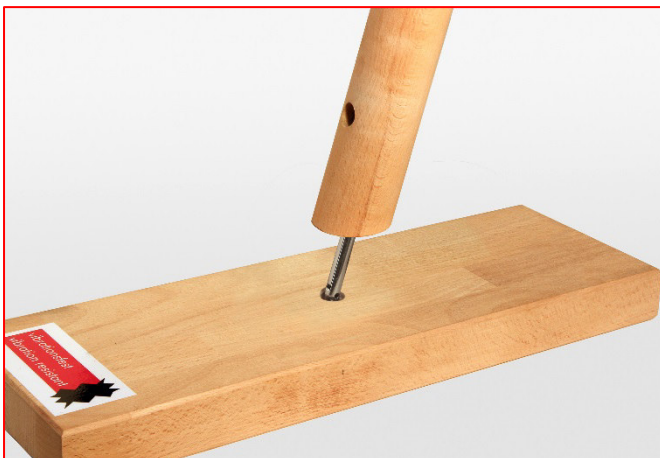
P: Special dowel "P" for upholstered frames to override tension. Tightening distance approx 10 mm.

XS Mitre Connector one sided

Ideal for heavy duty constructions as tables, suitable for board thickness of 22 mm and more

Stahl
Steel

vibrationsfest
vibration resistant



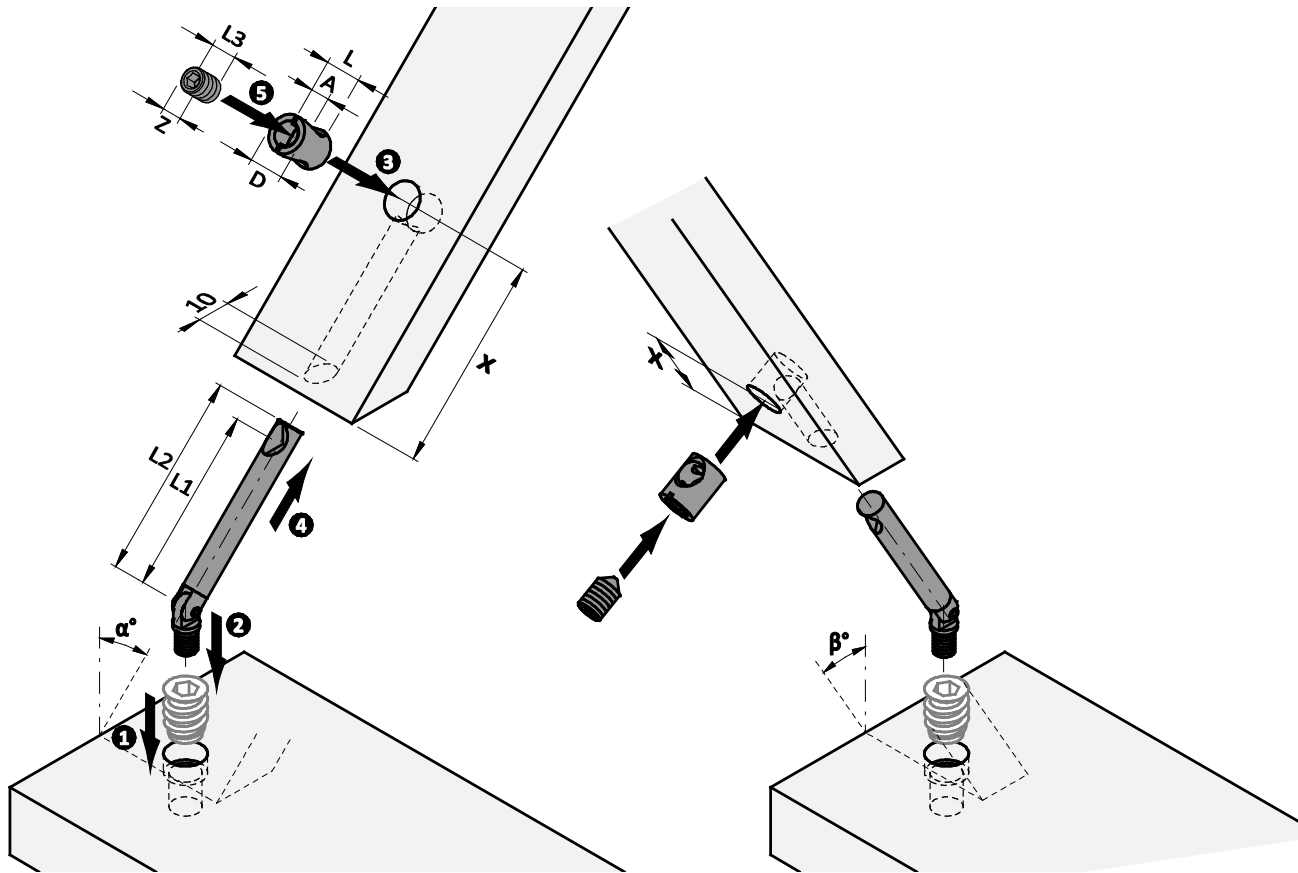
Specification

- High strength tightening forces, permanent
- Tightening distance approx. 4.5 mm
- Vibration resistant!
- Completely made of steel, high processing safety
- Surface zinc plated
- No panel-shift
- Easy to mount
- Made in Germany

XS Mitre Connector one sided (1S)

Consisting of:

- XS Housing $\phi 15$ mm
- XS Grub Screw M10, ISK (hexagon)
- XS Mitre Dowel one sided (1S) $\phi 10$ mm
- Insert M8



Housing $\phi 15$ mm					
order-no.	Material M	L	A	D	qty
D01035	20	17	10,0	15	5
D01002	22	19	12,0	15	5
D01003	24-28	21	14,0	15	5
D01004	30	28	13,0	15	5

Grub Screw M10			
order-no.	L3	Z	qty
D01036	10,0	SW5	5
D01005	12,5	SW5	5
D01005	12,5	SW5	5
D01005	12,5	SW5	5

Steel Dowel $\phi 10$ mm				
order-no.	ϕ	L1	L2	qty
D01012	10	68,5	75,5	5

Mitre Connector Type 1Sxx set						
Order no.	Type	Material thickness	Components			Pack Qty.
			housing	Grub Screw	Dowel	
D01035S1S	1S20	20	5x D01035	5 x D01036	5x D01012	5
D01002S1S	1S22	22	5x D01002	5x D01005	5x D01012	5
D01003S1S	1S24	24-28	5x D01003	5x D01005	5x D01012	5
D01004S1S	1S28	30	5x D01004	5x D01005	5x D01012	5

Please note: to order connector set please quote order no. e.g. D01035S1S (this includes appropriate housing, grub screw and dowel) does not include socket alternatively you can order individual components e.g. D01002 + D01005 + D01012

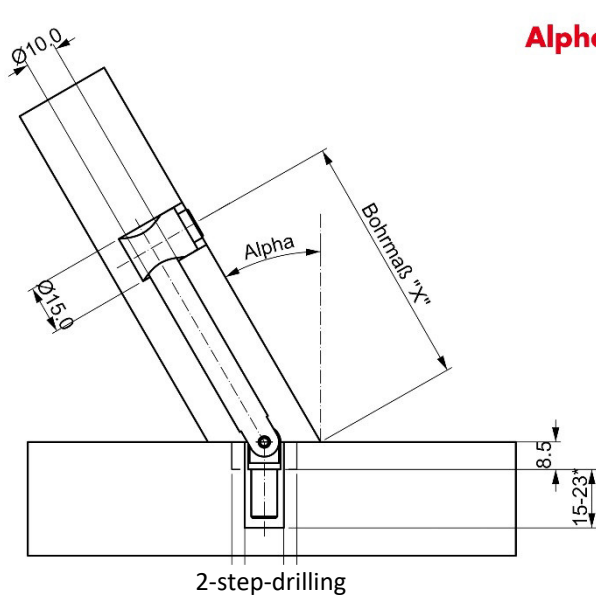
→: Combine Housing with this Grub Screw
Matching Inserts on page 45

M: Board thickness; All dimensions in mm

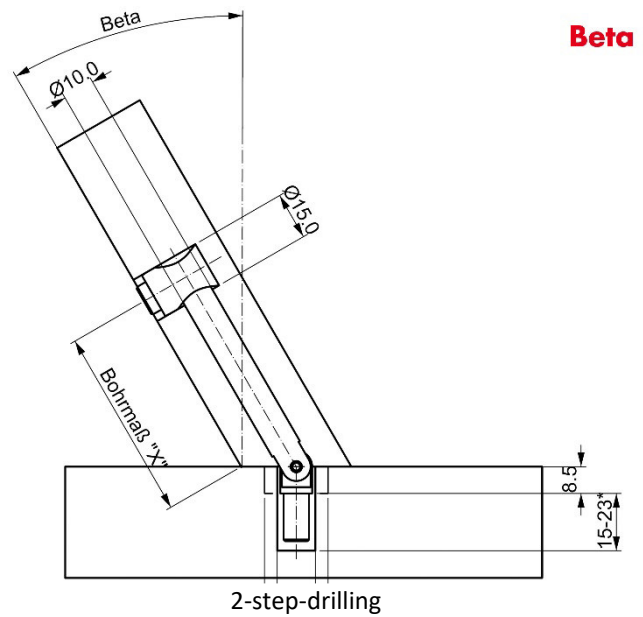
Drilling distance X: See drilling chart Tolerance: -0,5/+1,0 mm; **A test with a sample is recommended!**

CAM WOODWORK LTD

Joinery Made Simple



Alpha



Beta

Choose Insert M8 e.g. D01128 (see p. 45).

	Alpha board thickness (mm)										
Angle α	20,0	22,0	24,0	26,0	28,0	30,0	32,0	34,0	36,0	38,0	2-step-drilling ϕ
0°	69,0	69,0	69,0	69,0	69,0	69,0	69,0	69,0	69,0	69,0	no
5°	69,0	70,0	70,0	70,0	70,0	70,5	70,5	70,5	70,5	70,5	no
10°	71,0	71,0	71,0	71,5	71,5	71,5	72,0	72,0	72,0	72,5	no
15°	71,5	72,0	72,0	72,5	73,0	73,0	73,5	73,5	74,0	74,0	no
20°	72,5	73,0	73,5	73,5	74,0	74,5	75,0	75,0	75,5	76,0	no
25°	73,5	74,0	74,5	75,0	75,5	76,0	76,5	77,0	77,5	78,0	no
30°	74,8	75,4	76,0	76,5	77,0	77,7	78,2	79,0	79,5	80,0	no
35°	76,0	76,5	77,5	78,0	79,0	79,5	80,0	81,0	81,5	82,0	16,0
40°	77,5	79,0	79,0	80,0	80,5	81,5	82,5	83,5	84,0	85,0	16,0
45°	79,0	80,0	81,0	82,0	83,0	84,0	85,0	86,0	87,0	88,0	16,0
50°	81,0	82,0	83,5	84,5	85,5	87,0	88,0	89,5	90,5	91,5	20,0
55°	83,3	84,5	86,0	87,5	89,0	90,5	92,0	93,5	94,5	96,0	20,0
60°	86,5	88,0	90,0	91,5	93,0	95,0	96,5	98,5	100,0	102,0	20,0

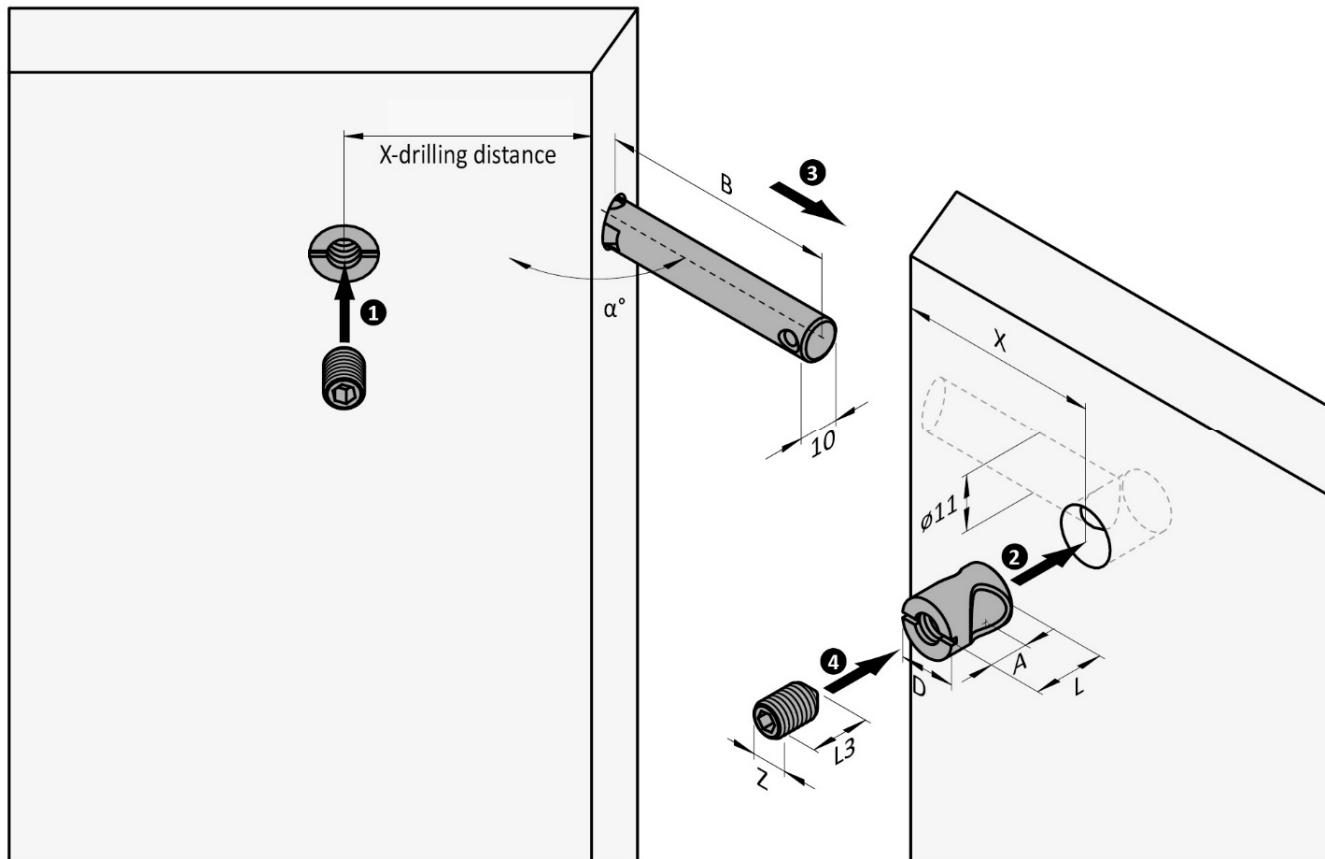
	Beta board thickness (mm)										
Angle β	20,0	22,0	24,0	26,0	28,0	30,0	32,0	34,0	36,0	38,0	2-step-drilling ϕ
0°	69,0	69,0	69,0	69,0	69,0	69,0	69,0	69,0	69,0	69,0	no
5°	68,0	68,0	68,0	68,0	68,0	67,5	67,5	67,5	67,5	67,5	no
10°	67,0	67,0	67,0	66,5	66,5	66,5	66,0	66,0	66,0	65,5	no
15°	66,5	66,0	66,0	65,5	65,0	65,0	64,5	64,5	64,0	64,0	no
20°	65,5	65,0	64,5	64,5	64,5	64,0	63,5	63,0	62,5	62,0	no
25°	64,5	64,0	63,5	63,0	62,5	62,0	61,5	61,0	60,5	60,0	no
30°	63,0	6,5	62,0	61,5	61,0	60,5	60,0	59,0	58,5	58,0	no
35°	62,0	61,5	60,5	60,0	59,0	58,5	58,0	57,0	56,5	55,5	16,0
40°	60,5	60,0	60,0	58,0	57,5	56,5	55,5	54,5	54,0	53,0	16,0
45°	59,0	58,0	57,0	56,0	55,0	54,0	53,0	52,0	51,0	50,0	16,0
50°	57,0	56,0	54,5	53,5	52,5	51,0	50,0	48,5	47,5	46,5	20,0
55°	54,5	53,5	52,0	50,5	49,0	47,5	46,0	44,5	43,5	42,0	20,0
60°	51,5	50,0	48,0	46,5	45,0	43,0	41,5	39,5	38,0	36,0	20,0

Your notes

XS Mitre Connector two sided (2S)

Consisting of:

- XS Housing $\phi 15$ mm
- XS Grub Screw M10, ISK (hexagon)
- XS Mitre Dowel two sided (2S) $\phi 10$ mm



Housing $\phi 15$ mm					
order-no.	Material M	L	A	D	qty
D01035	20	17	10,0	15	100
D01002	22	19	12,0	15	100
D01003	24-28	21	14,0	15	100
D01004	30	28	13,0	15	100

Grub Screw M10			
order-no.	L3	Z	qty
D01036	10,0	SW5	100
D01005	12,0	SW5	100
D01005	12,0	SW5	100
D01005	12,0	SW5	100

Steel Dowel $\phi 10$ mm				
order-no.	ϕ	L1	B/B	qty
D01009	10	152	68,5/68,5	25

Mitre Connector Type 2Sxx set						
Qoder no.	Type	Material thickness	Components			Pack Qty.
			housing	Grub Screw	Dowel	
D01035S2S	2S20	20	10x D01035	10x D01036	5x D01009	5
D01002S2S	2S22	22	10x D01002	10x D01005	5x D01009	5
D01003S2S	2S24	24-28	10x D01003	10x D01005	5x D01009	5
D01004S2S	2S28	30	10x D01004	10x D01005	5x D01009	5

Please note: to order connector set please quote order no. e.g. D010351S (this includes appropriate housing, grub screw and dowel) does not include socket alternatively you can order individual components e.g. D01002 + D01005 + D01012

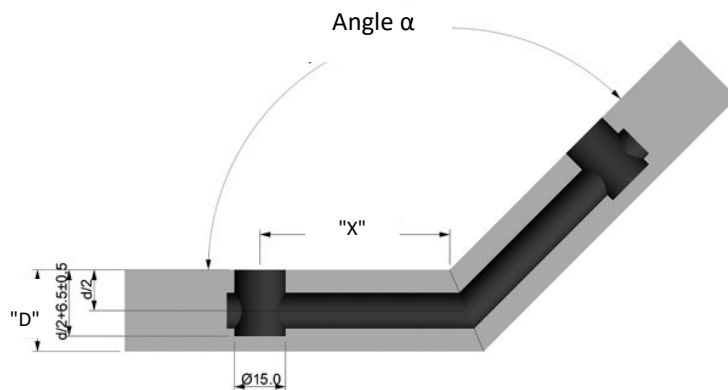
→: Combine Housing with this Grub Screw
Matching Inserts on page 45

M: Board thickness; All dimensions in mm

Drilling distance "X" See drilling chart, Tolerance: $-0,5/+1,0$ mm; **A test with a sample is recommended!**

XS Mitre Connector two sided (2S)

Drilling distances



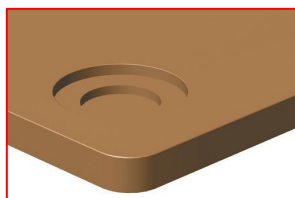
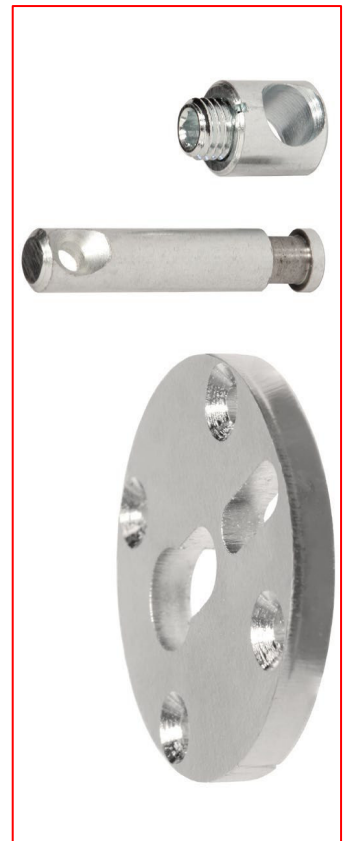
Drilling distance "X" (theor.) in mm for
XS Mitre Dowel $\varnothing 10$ mm
Tolerance: $-0,5/+1,0$ mm
A test with a sample is recommended!

Angle α	board thickness "D" (mm)				
	22,0	24,0	26,0	28,0	30,0
80°	56,0	54,5	53,5	52,5	51,0
85°	57,0	56,0	55,0	53,7	52,5
90°	58,0	57,0	56,0	55,0	54,0
95°	59,0	58,0	57,0	56,0	55,5
100°	60,0	59,0	58,0	57,3	56,5
105°	60,5	60,0	59,0	58,3	57,5
110°	61,3	60,5	60,0	59,2	58,5
115°	62,0	61,5	60,5	60,0	59,5
120°	62,5	52,0	61,5	61,0	60,5
125°	63,5	63,0	62,0	61,5	61,0
130°	64,0	63,5	63,0	62,5	62,0
135°	64,5	64,0	63,5	63,0	63,0
140°	65,0	64,5	64,3	64,0	63,5
145°	65,5	65,0	65,0	64,5	64,5
150°	66,0	66,0	65,5	65,0	65,0
155°	66,5	66,3	66,0	66,0	65,5
160°	67,0	67,0	66,5	66,5	66,5
165°	67,5	67,5	67,5	67,0	67,0
170°	68,0	68,0	68,0	68,0	67,5
175°	68,5	68,5	68,5	68,5	68,5
180°	69,0	69,0	69,0	69,0	69,0

XS Connecting System Table 50

Consisting of:

- XS Housing \varnothing 15 mm
- XS Grub Screw M10, ISK (hexagon)
- XS Anchor Bolt \varnothing 50x 6 mm
- XS Anchor Plate \varnothing 50x 6 mm



With the XS fitting system, you can implement a wide variety of fastening options with just a few standard fittings.

The XS series now offers anchor plate fitting for the assembly of slim table legs from a diameter of 50 mm. In this way, thin-legged table constructions, such as couch or coffee table many order tables, can be optimized and safely manufactured. The attachment is very easy, takes place directly on the underside of the table top and is of course suitable for assembly by the end user.

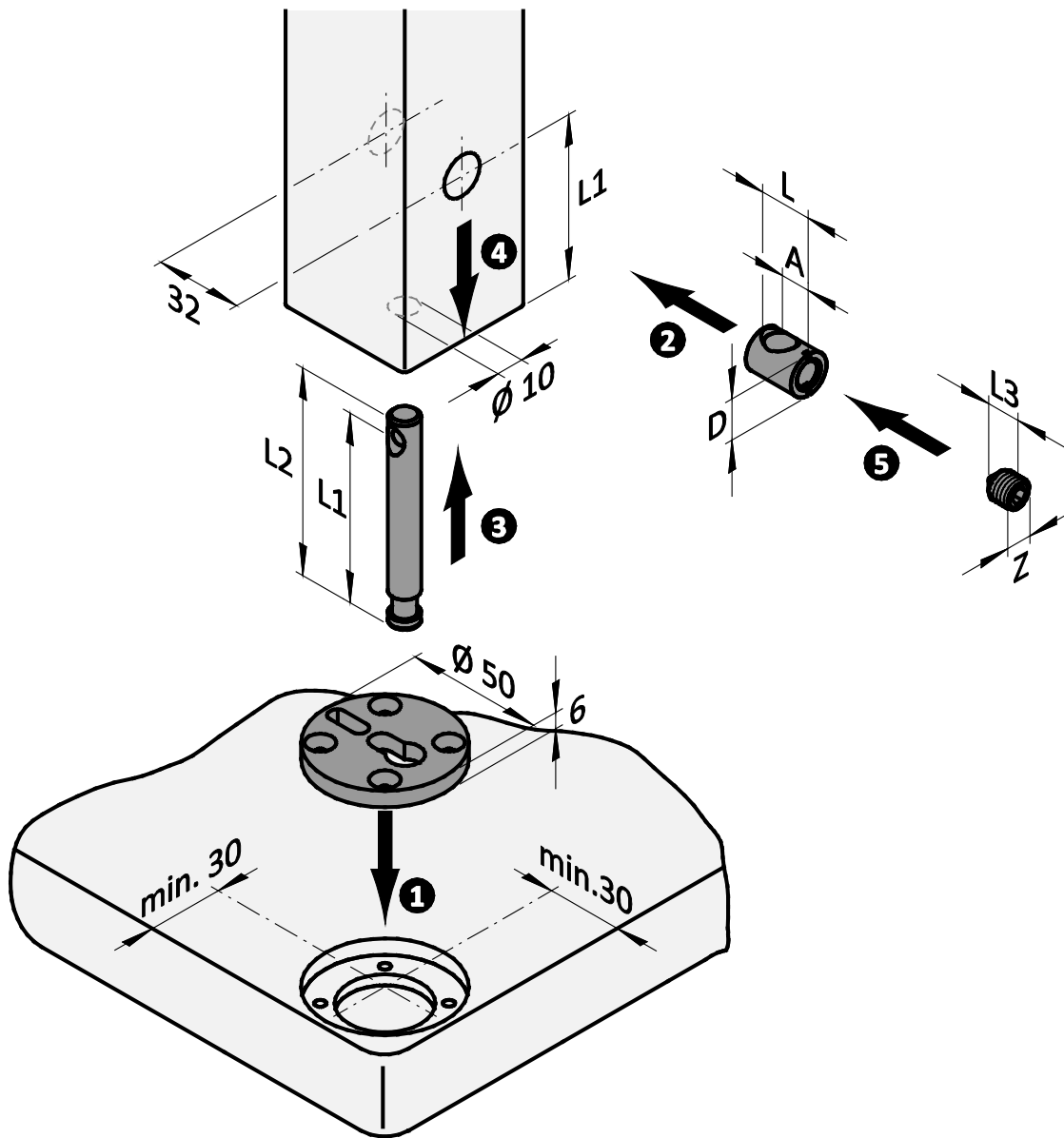
The advantages are apparent:

Fast assembly ▪ Disassemblable delivery possible ▪ Strong connection ▪ Easy replacement of damaged parts, such as feet or frame elements ▪ Simple design change ▪ Cost-effective production ▪ Use of an extension fitting without changing the basic construction

With this XS anchor plate fitting, fast and modern table production is possible. By minimizing to a few individual hardware parts, efficient production and quick model changes are possible (modular principle).

The profit lies in the rational design and production: Using as many components as possible across the project brings enormous cost savings!

XS Connecting System Table 50



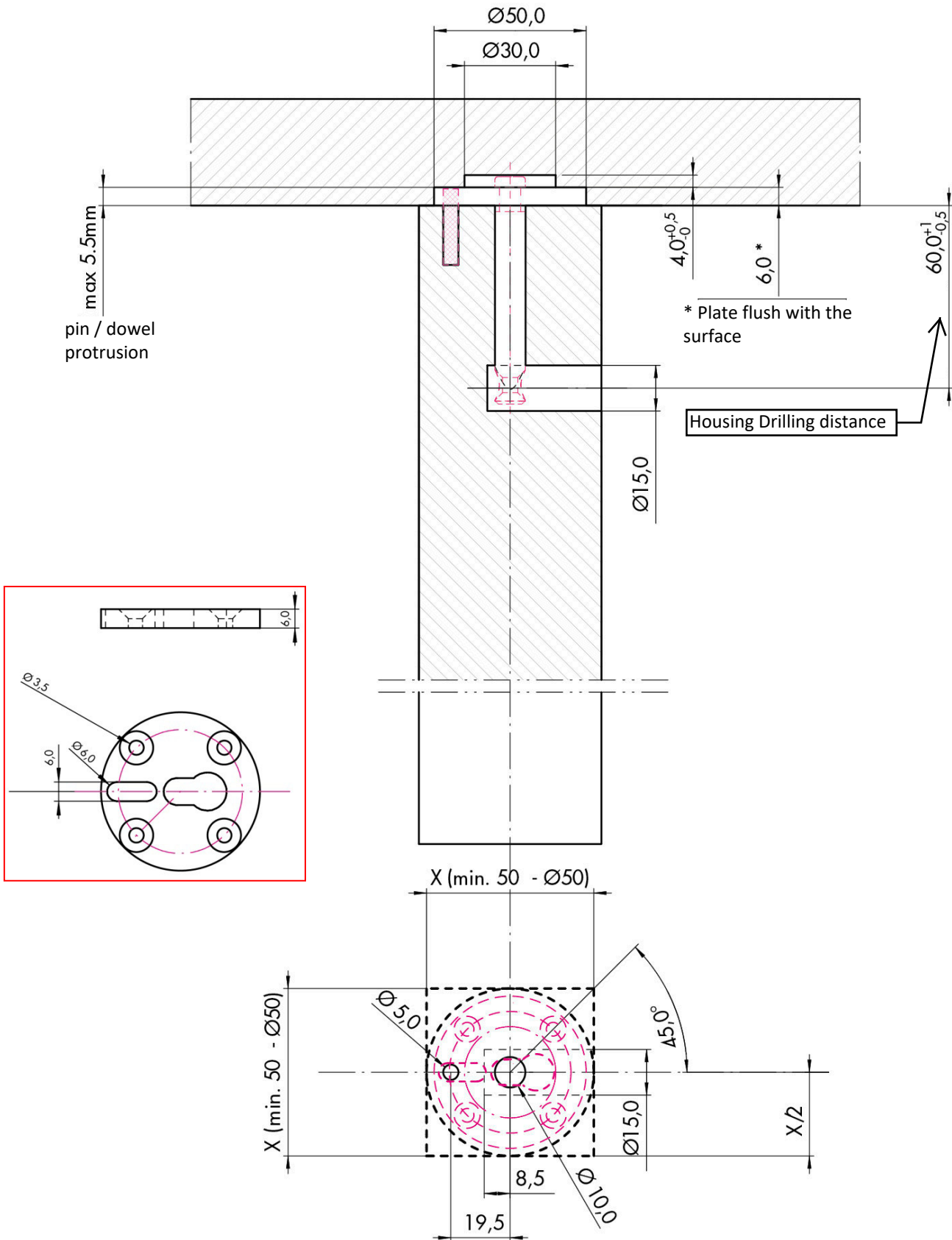
Anchor Bolt set							
	description	L	A	L1	L2	D	qty
D01107	Anchor Bolt			60	76	10	1
	D01003 Housing	21	14			15	1
	D01005 Grub Screw					M8	1

Table 50 set				
Qoder no.	Type	Components		Pack Qty.
		Plate	Anchor bolt set	
D01106S50	Table 50	4 x Ø50x6mm	4x D01107	1

Please note
All dimensions in mm

XS Connecting System Table 50

Drilling distances



XS Connecting System Table 90

Consisting of:

- XS Housing \varnothing 15 mm
- XS Grub Screw M10, ISK (hexagon)
- XS Anchor Bolt \varnothing 10 mm
- XS Anchor Plate \varnothing 90x 6 mm



With the XS fitting system, a wide variety of table constructions can be produced with just a few standard fittings:

1. Frame construction
2. Lateral frame construction
3. Without frame

The XS fitting system was supplemented by an anchor dowel for mounting strong table feet (from 90 mm thickness). It is attached directly to the table top and is of course also suitable for assembly by the end user. With the XS hardware system, almost all types of construction can be carried out with just a few parts, based on the modular principle.

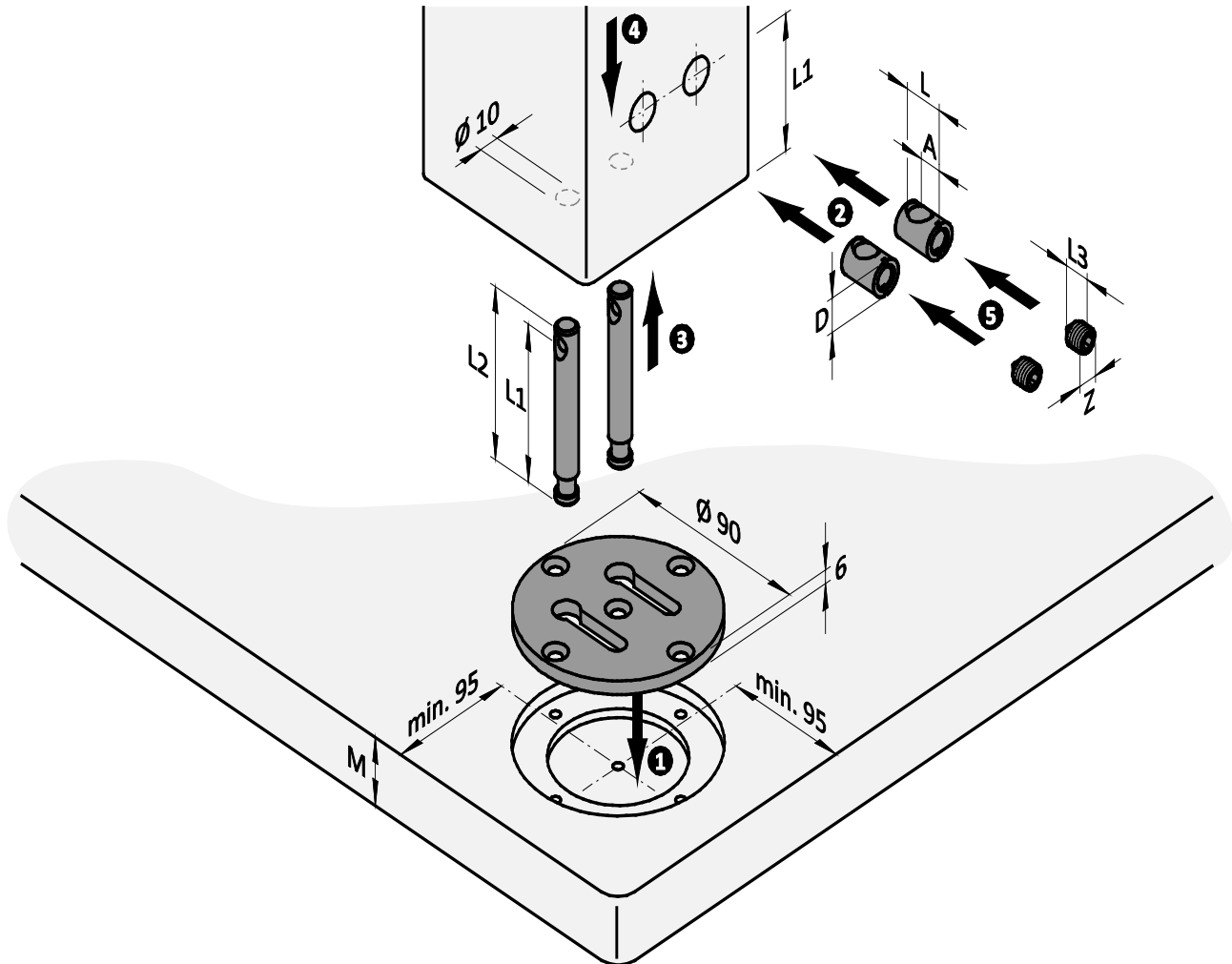
The advantages are apparent:

Fast assembly ▪ Disassemblable delivery possible ▪ Strong connection ▪ Easy replacement of damaged parts, such as feet or frame elements ▪ Simple design change ▪ Cost-effective production ▪ Use of an extension fitting without changing the basic construction

With this XS anchor plate fitting, fast and modern table production is possible. By minimizing to a few individual hardware parts, efficient production and quick model changes are possible (modular principle).

The profit lies in the rational design and production: Using as many components as possible across the project brings enormous cost savings!

XS Connecting System Table 90



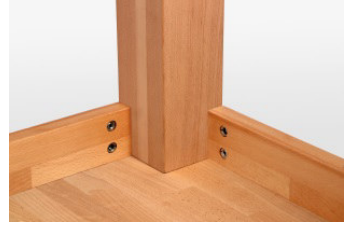
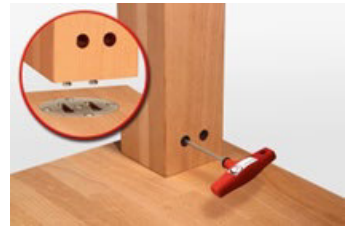
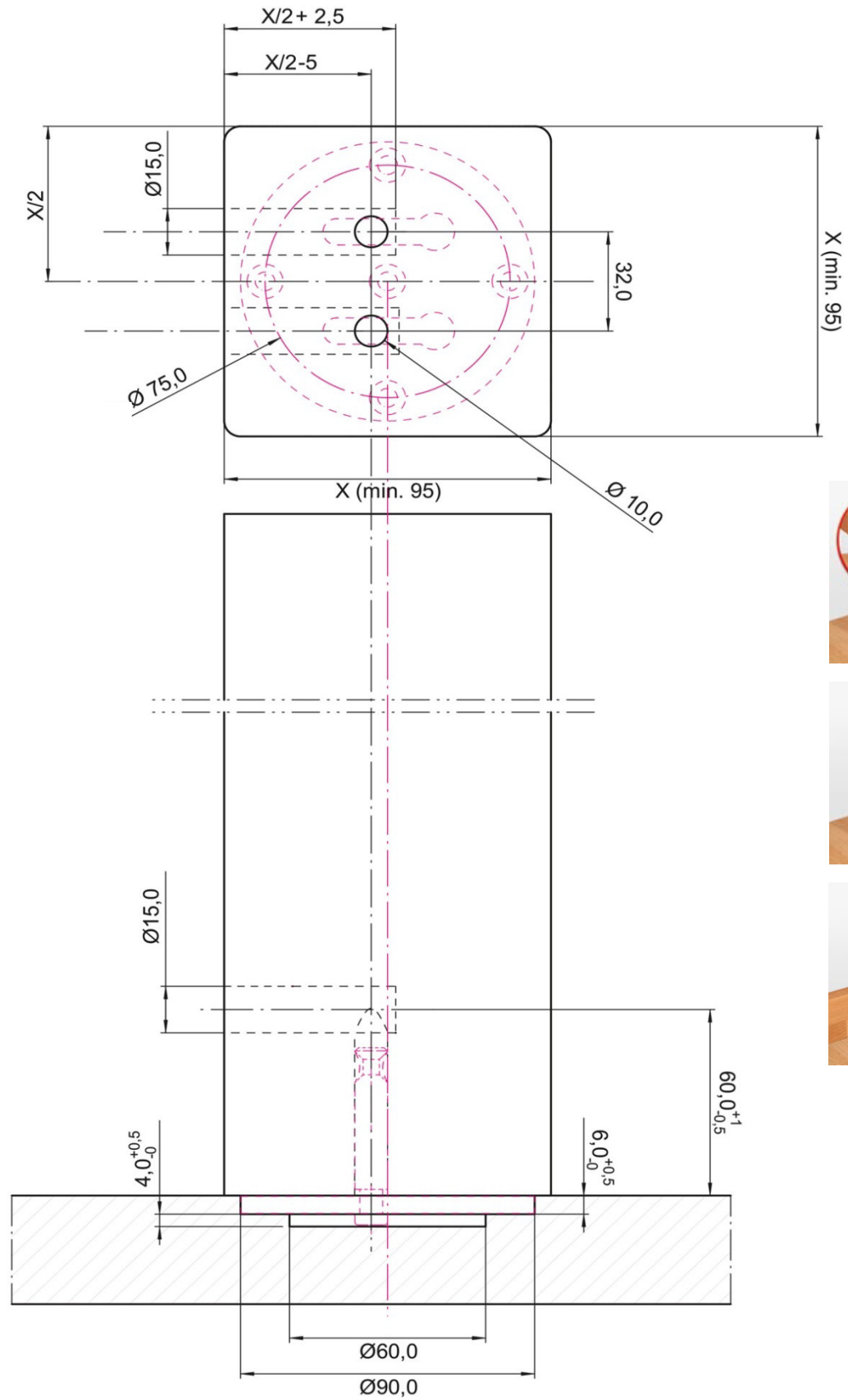
Set Anchor Bolt							
	description	L	A	L1	L2	D	qty
D01101	Anchor Bolt			60	76	10	1
	iD01004 Housing	28	13			15	1
	D01005 Grub Screw					M8	1

Table 90 set				
Qoder no.	Type	Components		Pack Qty.
		Plate	Anchor bolt set	
D01106S90	Table 90	4x Ø90x6mm	8x D01101	1

Please note
All dimensions in mm

XS Connecting System Table 90

Drilling distances



XS Shelf Connector S40

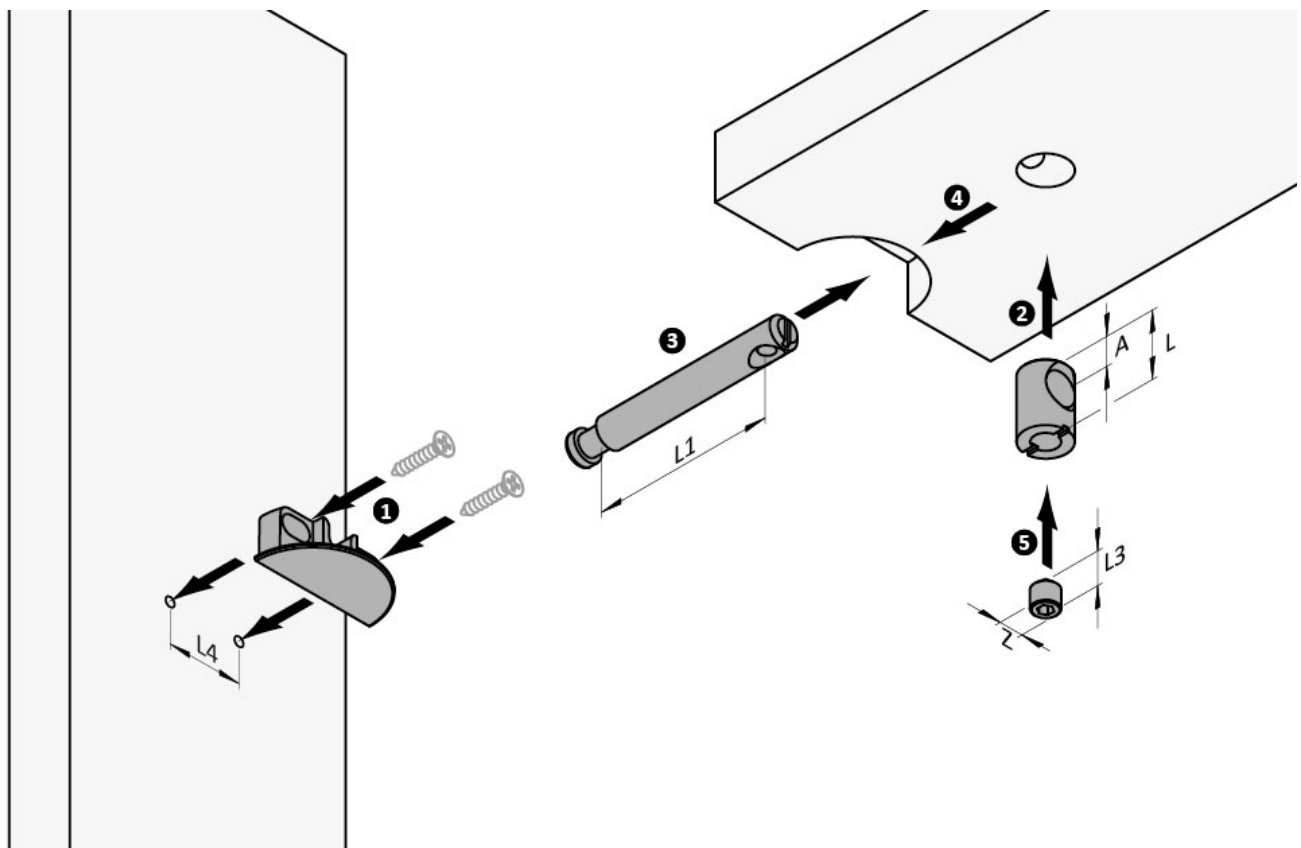
1 Set consisting of:

- 4x XS Mounting Block
- 4x XS Anchor Bolt $\phi 10$ mm
- 4x XS Housing $\phi 15$ mm
- 4x XS Grub Screw M10



Description

- For mounting shelves
- Extreme high tightening forces
- Can be mounted from above and below
- Anchor Bolt, Housing, Grub Screw made of steel
- Mounting Block made of die-cast, nickel plated



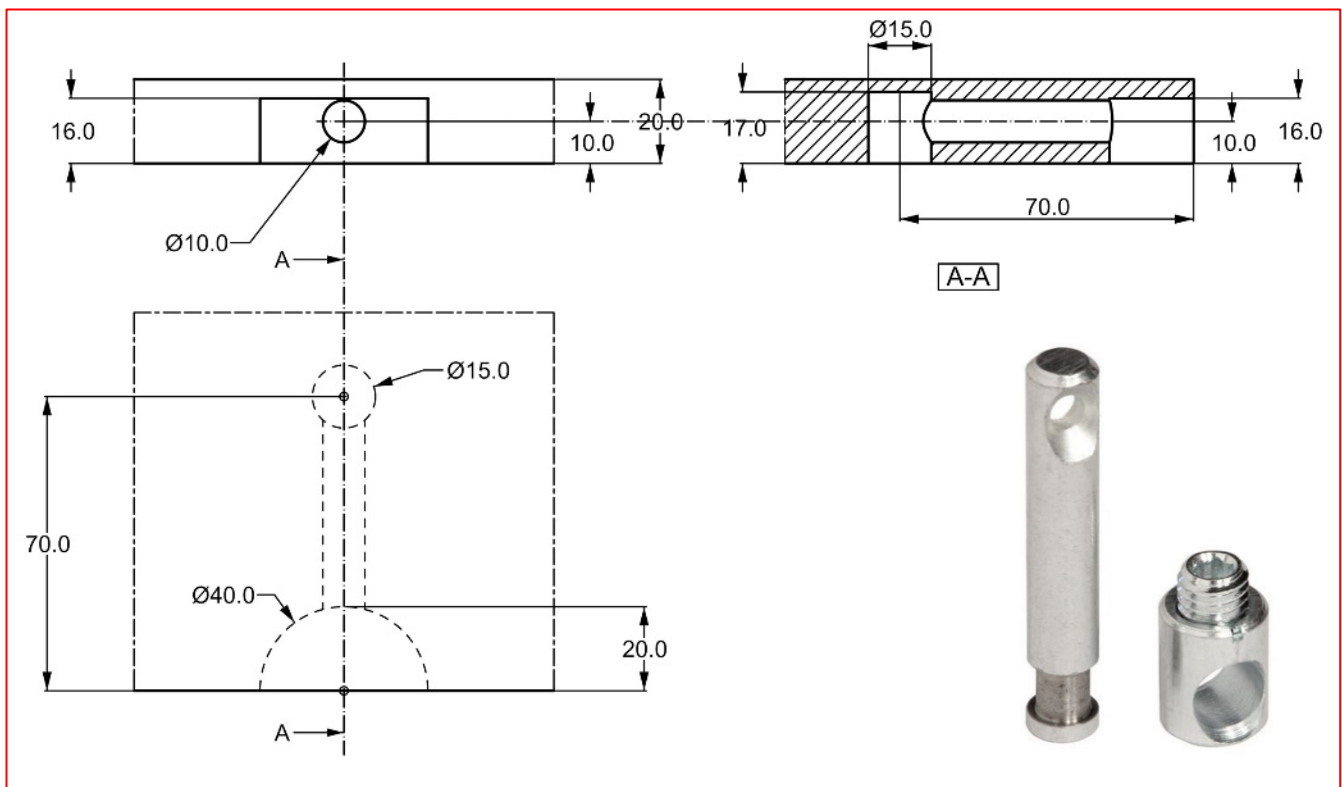
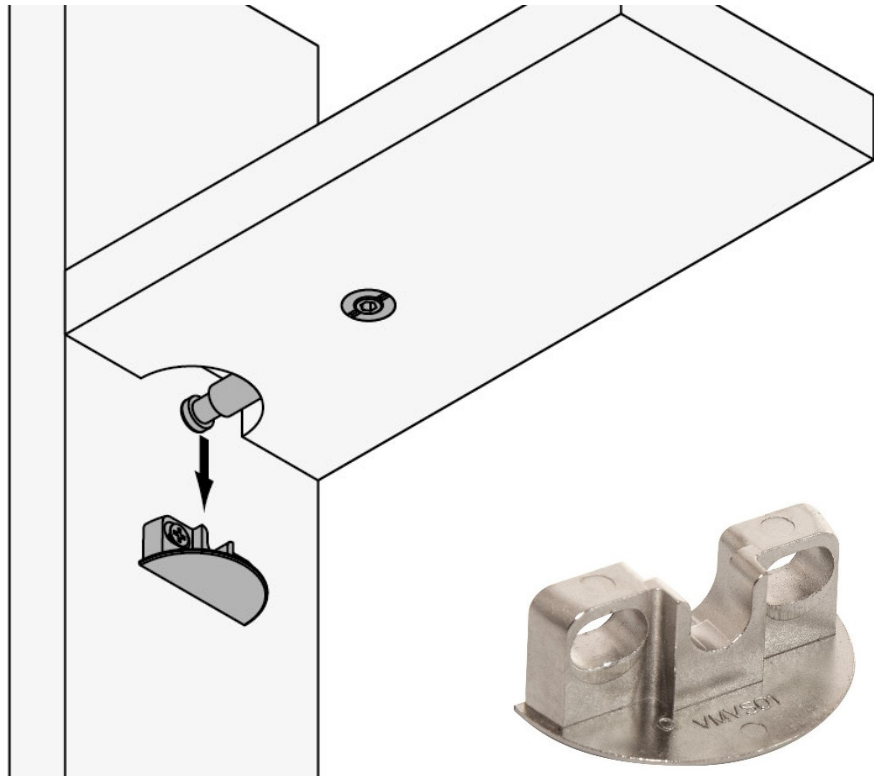
S40 Shelf Connector set								
order-no.	description	L	A	L1	L3	L4	Z	qty
D02042S40	XS Mounting Block					25		4
	D01107 XS Anchor Bolt $\phi 10$ mm			60				4
	D01002 XS Housing $\phi 15$ mm	19	12					4
	D01005 XS Grub Screw M10				12		SW5	4

Please note

Use countersunk screws 18-20 mm! M: Board thickness;
All dimensions in mm

XS Shelf Connector S40

Drilling distances



XS Adapter Plate 8°

Complete set for 1 table consisting of:

- 4x XS Adapter Plate \varnothing 50 mm
- 4x XS Grub Screw or Shaft Screw
- 4x Insert M8, order no. D01207
- 16x Head Screw \varnothing 4,0x 20 mm

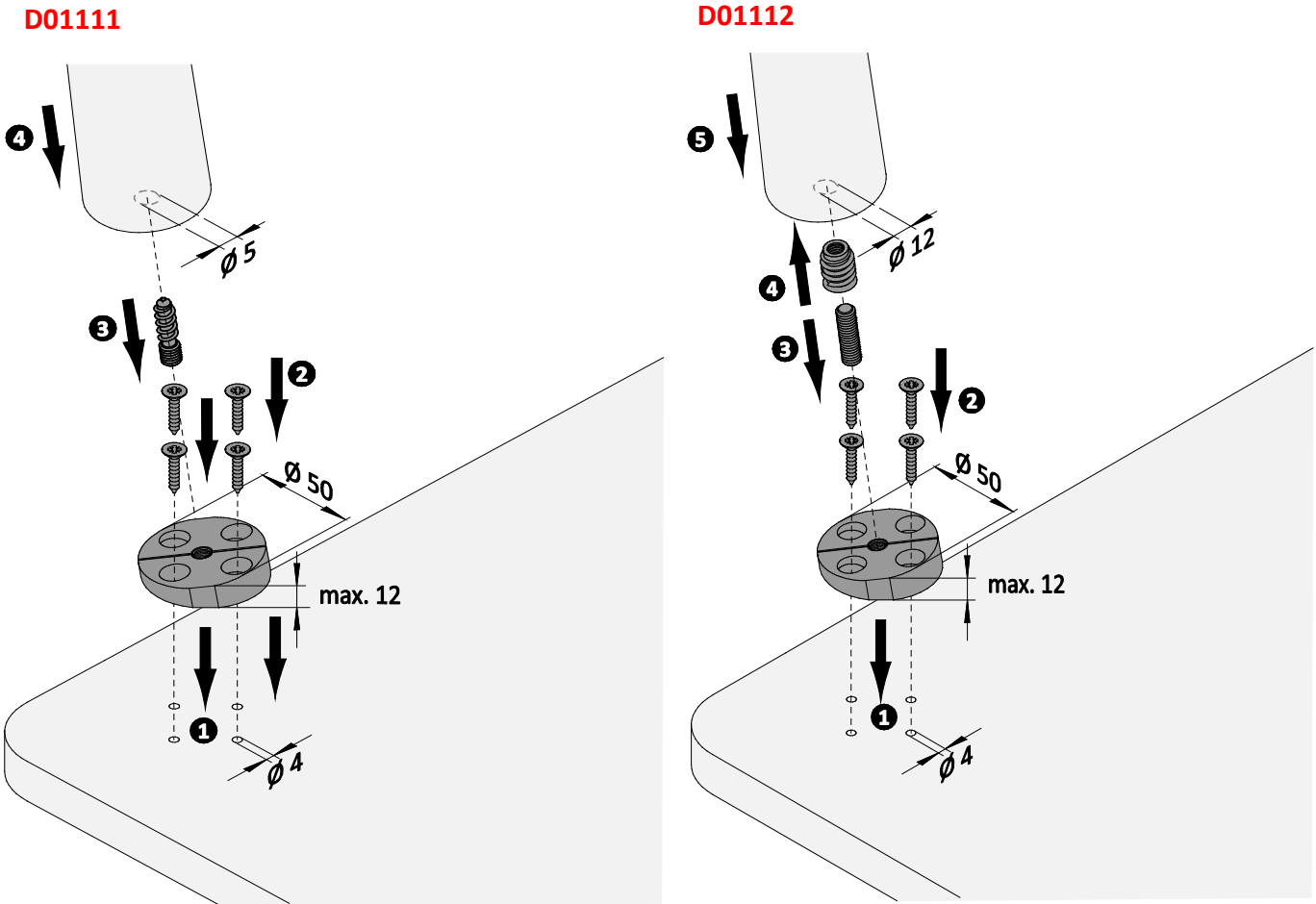


Pretty at an angle!

The table leg adapter plate 8° is made of high-quality aluminum. It allows to mount slanted table legs to a tabletop without a mitre cut that ultimately creates an elegant finish. The production is simple due to the minimal processing of the table legs required. In addition, the mounting process can be successfully carried out without tools. The adapter plate is paintable therefore making it customizable to individual preferences.

The packaging unit of each set is intended for one table.

XS Adapter Plate 8°



order-no.	description	dimensions	qty
D01111	Adapter plate set for 1 table		1
	/ 4x 8° Adapters	ø50	
	/ 4x Shaft Screw	M8x 50	

D01112	Adapter plate set for 1 table		1
	4 x 8° Adapter	ø50	
	4 x Grub Screw	M8x 25	
	4 x Insert D01207	M8	

Please note

All dimensions in mm

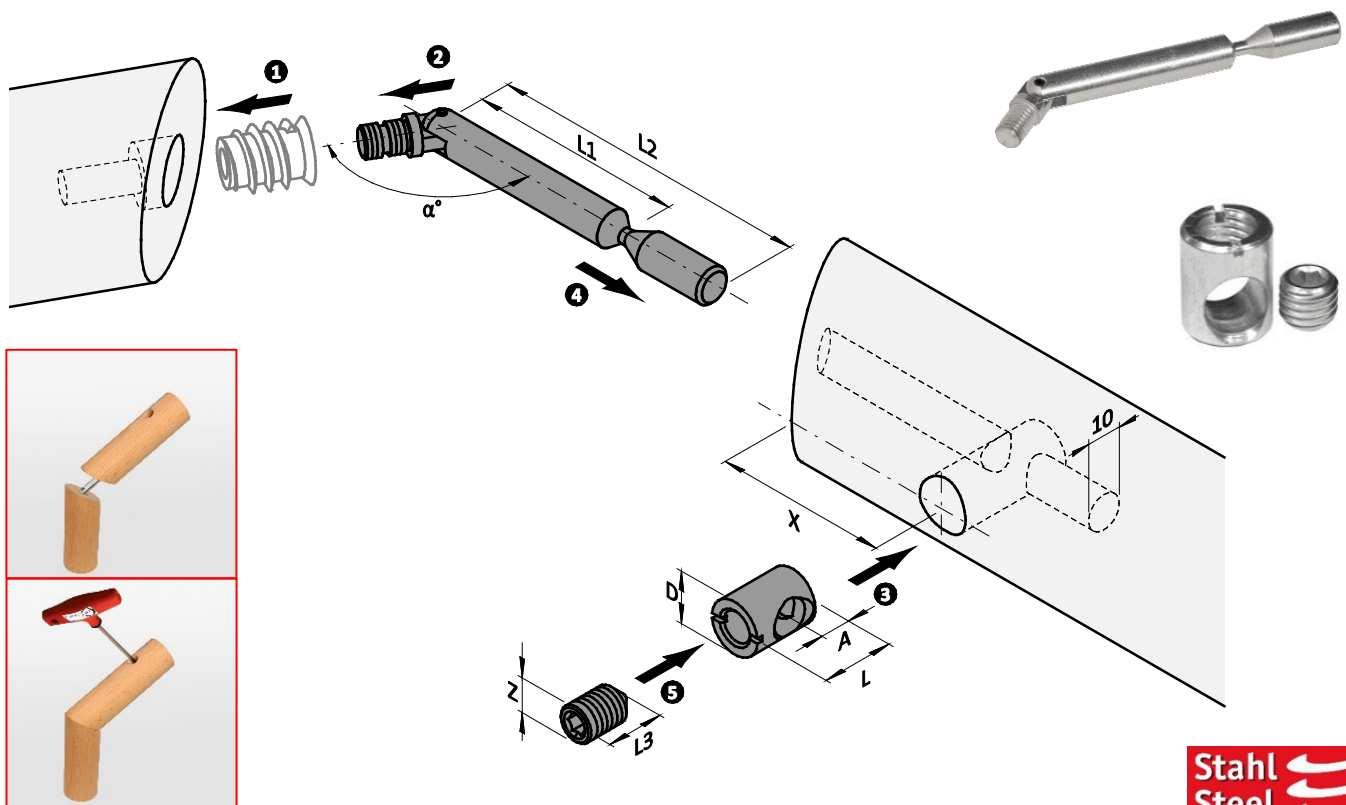
XS Handrail Connector M8xx

Consisting of:

- XS Steel Housing $\phi 15$ mm
- XS Grub Screw M10, SW5
- XS Steel Dowel $\phi 10$ mm

Specification

- For connecting handrails – freely-adjustable
- Completely made of steel
- No side movements possible
- Higher than average rate of firmness
- Easy to mount
- Made in Germany



Housing $\phi 15$ mm					
	Material	L	A	D	qty
	M				
D01035	20	17	10,0	15	1
D01002	22	19	12,0	15	1
D01003	24-28	21	14,0	15	1
D01004	30	28	13,0	15	1

Grub Screw M10			
order-no.	L3	Z	qty
D01036	10,0	SW5	1
D01005	16,0	SW5	1
D01005	16,0	SW5	1
D01005	16,0	SW5	1

Steel Dowel $\phi 10$ mm				
order-no.	L1	L2	d	qty
D02041	89,5	109,0	M8x11	1

Handrail Connection set						
Qoder no.	Type	Material thickness (mm)	Components			Pack Qty.
			housing	Grub Screw	Dowel	
D01035HR8	M820	20	1x D01035	1x D01036	1x D02041	1
D01002HR8	M822	22	1x D01002	1x D01005	1x D02041	1
D01003HR8	M824	24-28	1x D01003	1x D01005	1x D02041	1
D01004HR8	M828	30	1x D01004	1x D01005	1x D02041	1

Please note:

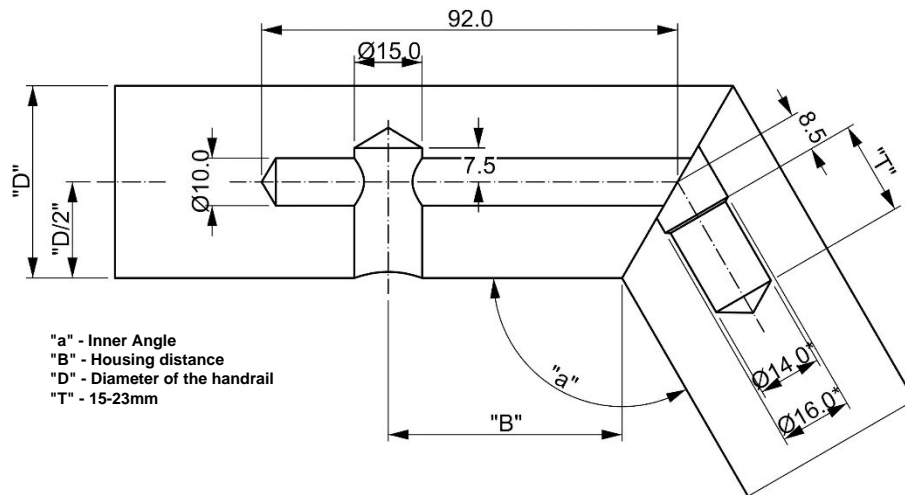
To order connector set please quote order no. e.g. D01035HR8 (this includes appropriate housing, grub screw and dowel) does not include socket alternatively you can order individual components e.g. D01035 + D01036 + D02041

X: Matching Inserts M8 on page 45

M: Board thickness; All dimensions in mm

XS Handrail Connector M8xx

Drilling distances



Drilling distance „B“ = „X“ (theor.) in mm
 for Mitre Dowel Handrail $\varnothing 10/15$ mm
 (Tolerance: -0,5/+1,0 mm)

A test with a sample is recommended!

Choose Insert M8 e.g. D01128 (see p. 45).

Angle α	handrail thickness (mm)												
	30,0	32,5	35,0	37,5	40,0	42,5	45,0	47,5	50,0	52,5	55,0	57,5	60,0
55°	37,0	35,0	32,5	30,0	27,5	25,0	23,0	20,5	18,0	15,5	13,0	11,0	8,5
60°	40,0	38,0	35,5	33,5	31,5	29,0	27,0	25,0	22,5	20,5	18,5	16,0	14,0
65°	42,5	40,5	38,5	36,5	34,5	32,5	30,5	28,5	27,0	25,0	23,0	21,0	19,0
70°	44,5	43,0	41,0	39,0	37,5	35,5	34,0	32,0	30,5	28,5	26,5	25,0	23,0
75°	46,5	45,0	43,0	41,5	40,0	38,5	36,5	35,0	33,5	32,0	30,0	28,5	27,0
80°	48,0	46,5	45,0	43,5	42,0	40,5	39,0	37,5	36,0	34,5	33,0	32,0	30,0
85°	49,5	48,5	47,0	45,5	44,0	43,0	41,5	40,0	38,5	37,5	36,0	34,5	33,5
90°	51,0	50,0	48,5	47,5	49,0	45,0	43,5	42,5	41,0	40,0	38,5	37,5	36,0
95°	52,5	51,0	50,0	49,0	47,5	46,5	45,5	44,0	43,0	42,0	41,0	39,5	38,5
100°	53,5	52,5	51,5	50,5	49,0	48,0	47,0	46,0	45,0	44,0	43,0	42,0	41,0
105°	54,5	53,5	52,5	51,5	50,5	49,5	48,5	48,0	47,0	46,0	45,0	44,0	43,0
110°	55,5	54,5	53,5	53,0	52,0	51,0	50,0	49,5	49,0	47,5	46,5	46,0	45,0
115°	56,5	55,5	55,0	54,0	53,5	52,5	51,5	51,0	50,0	49,5	48,5	47,5	47,0
120°	57,5	56,5	56,0	55,0	54,5	53,5	53,0	52,5	51,5	51,0	50,0	49,5	48,5
125°	58,0	57,5	57,0	56,0	55,5	55,0	54,5	53,5	53,0	52,5	51,5	51,0	50,5
130°	59,0	58,5	58,0	57,5	56,5	56,0	55,5	55,0	54,5	54,0	53,0	52,5	52,0
135°	60,0	59,5	59,0	58,0	57,5	57,0	56,5	56,0	55,5	55,0	54,5	54,0	53,5
140°	60,5	60,0	59,5	59,0	58,5	58,5	58,0	57,5	57,0	56,5	56,0	55,5	55,0
145°	61,5	61,0	60,5	60,0	59,5	59,5	59,0	58,5	58,0	57,5	57,5	57,0	56,5
150°	62,0	61,5	61,5	61,0	60,5	60,5	60,0	59,5	59,5	59,0	58,5	58,5	58,0
155°	62,5	62,5	62,0	62,0	61,5	61,5	61,0	60,5	60,5	60,0	60,0	59,5	59,0
160°	63,5	63,0	63,0	62,5	62,5	62,5	62,0	62,0	61,5	61,5	61,0	61,0	60,5
165°	64,0	64,0	63,5	63,5	63,5	63,0	63,0	63,0	62,5	62,5	62,5	62,0	62,0
170°	64,5	64,5	64,5	64,5	64,5	64,0	64,0	64,0	64,0	63,5	63,5	63,5	63,5
175°	65,5	65,5	65,0	65,0	65,0	65,0	65,0	65,0	65,0	65,0	65,0	64,5	64,5
180°	66,0	66,0	66,0	66,0	66,0	66,0	66,0	66,0	66,0	66,0	66,0	66,0	66,0

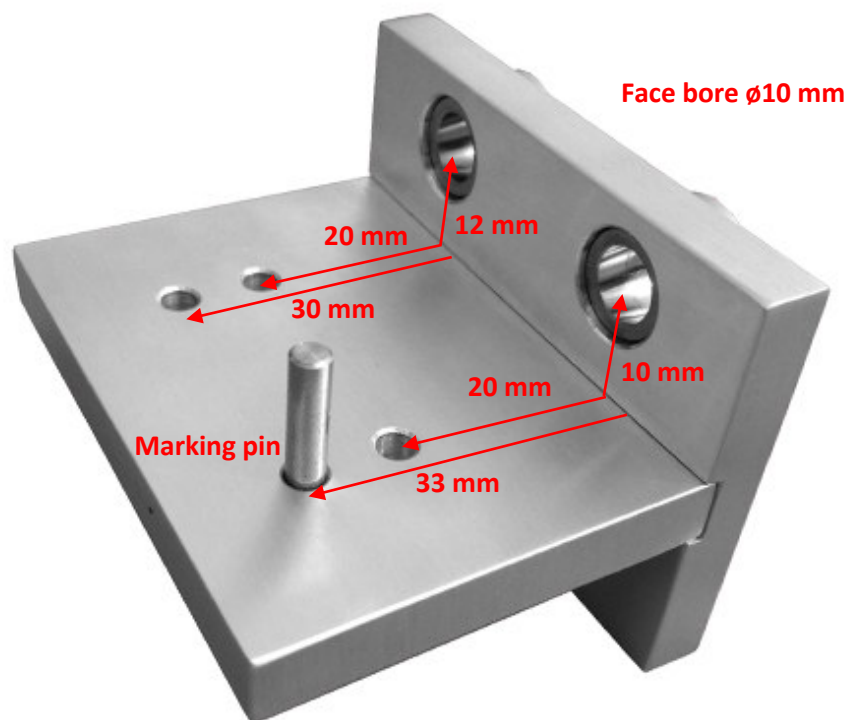
Drilling Jig "Basis" XS

For board thickness: 20, 22, 28, 30 mm

Specification

The drilling jig facilitates the manual insertion of the front side drillings as well as the marking of the surface drillings' mandatory aligning. **20, 30** and **33** mm drilling distances of the XS-system are integrated. The template is made of **high-quality aluminium**, **light** in weight yet still **robust**. In addition, it is equipped with standardized drilling bushes that allow a **high level of precision**.

order-no.: **D03000**



Drilling Jig "Expert" XS, PV, FF

For board thickness: 15 - 50 mm

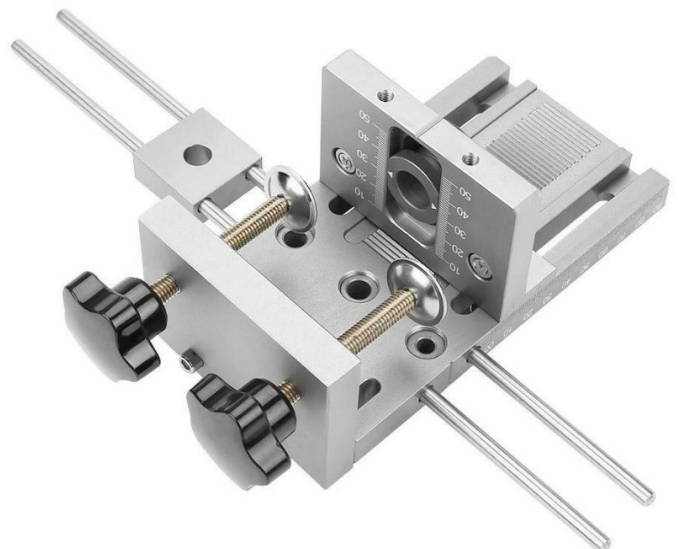
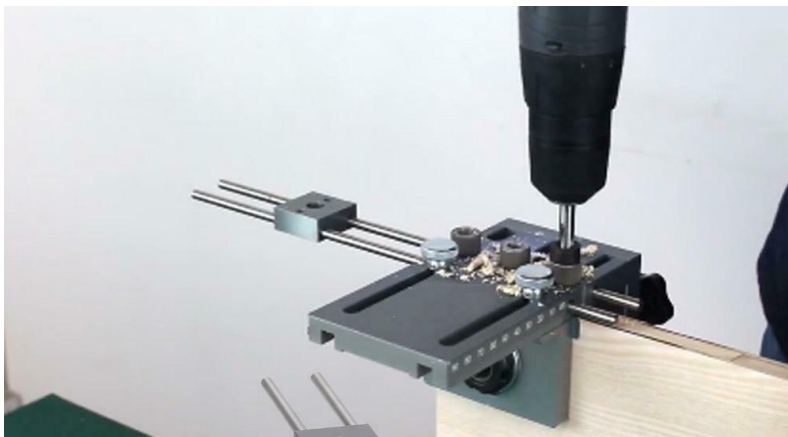
Specification

The drilling jig Expert facilitates the manual insertion of the front side drillings as well as the marking of the surface drillings' mandatory aligning. The distances of the XS, PV and FF system are integrated. The template is made of high-quality aluminum, light in weight yet still robust. In addition, it is equipped with standardized drilling bushes that allow a high level of precision. Demountable, flexible to use and easy to handle.

The drilling jig is ideal for the production of small batches, it is designed for all common material thicknesses, it can be variably adjusted and fixed, all required face, surface or well bores can be safely implemented.



order-no: D03005



FF Connecting System (Frustration Free)

The steel alternative to replace the $\varnothing 15$ mm cam and dowel system. Does not break, does not tilt!

Specification

- Drilling measures identical with $\varnothing 15$ mm cam drillings
- High strength tightening forces, permanent
- Tightening distance approx. 3 mm
- Vibration resistant!
- No panel-shift
- Completely made of steel, high processing safety
- Surface zinc plated
- Easy to mount
- Overhead mounting possible
- Compatible with PV Dowels
- Available with Cover Caps
- Made in Germany



Available Soon !!!

vibrationsfest
vibration resistant



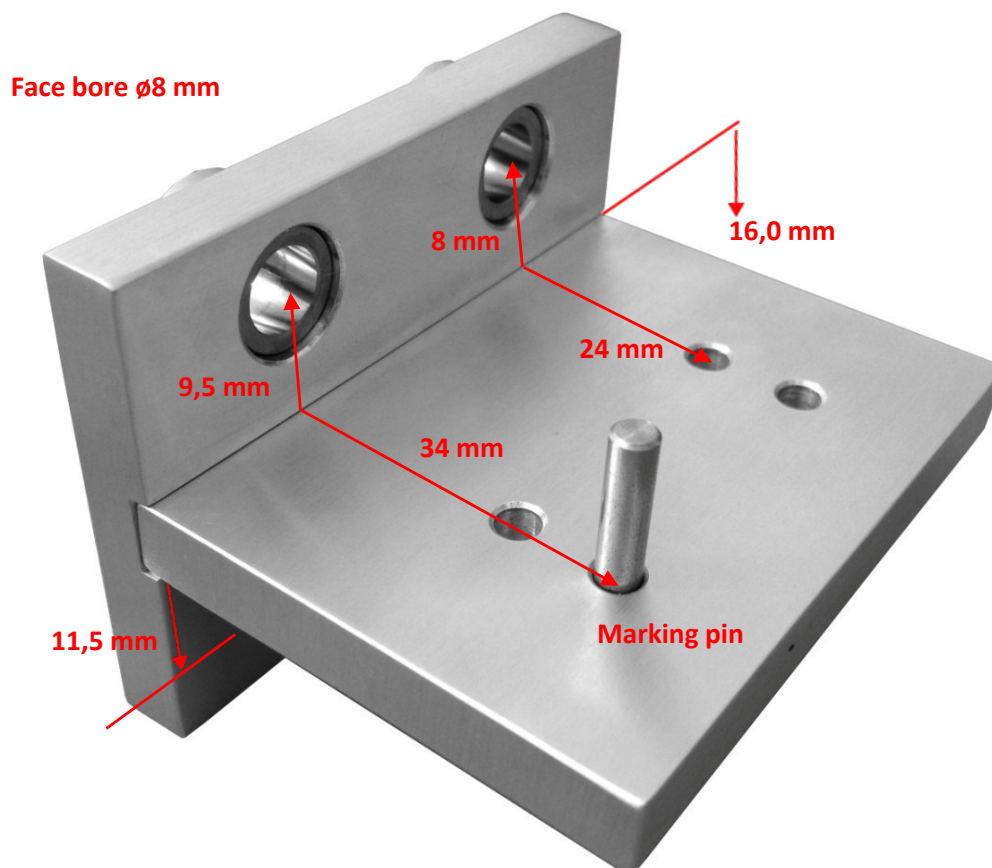
Drilling Jig "Basis" PV,FF

For board thickness: 16, 19, 23, 32mm

Specification

The drilling jig facilitates the manual insertion of the front side drillings **8.0**, **9.5**, **11.5** and **16.0** mm as well as the marking of the surface drillings' mandatory aligning. Drilling distances **24** and **34** mm, the FF and PV system are integrated. The template is made of **high-quality aluminium**, **light** in weight yet still **robust**. In addition, it is equipped with standardized drilling bushes that allow a **high level of precision**. Demountable, flexibly combinable and easy to handle.

order-no.: **D03001**

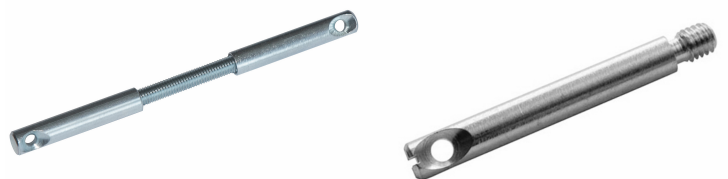
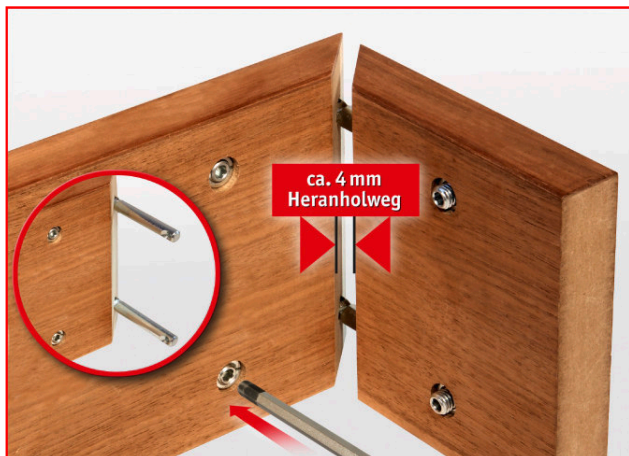


PV Connecting System

The small but strong $\varnothing 10$ and $\varnothing 12$ mm connecting system for corner, mitre and flat connections with board thickness of 16-32 mm

Specification

- Drilling measures match to cam system
- Vibration resistant!
- Higher than average rate of firmness
- Tightening distance approx. 3.5 mm
- No panel-shift
- Completely made of steel, high processing safety
- All parts zinc plated or nickel plated
- Visually attractive - only 10 mm diameter visible
- Easy to mount
- No need for additional glue or wood dowels
- Made in Germany



PV Connecting System black

The Connector in fine dress



Our very popular PV connector is now also available in black colour!

Dark or black furniture fittings are becoming more and more popular. Therefore, scheulenburg-direkt has developed black PV connectors, which fit perfectly into the surface of dark furniture and give them a classy look.

The ZNB (= zinc nickel black) coating also ensures a higher corrosion resistance.

In case you like more coloured products, please contact us!

Housing \varnothing 10 mm					
	Material	L	A	D	qty
	M				
D01042	19	14	9,5	10	10

Grub Screw M6			
	L3	Z	qty
D01043	8	M6 - SW4	10

→

Please note

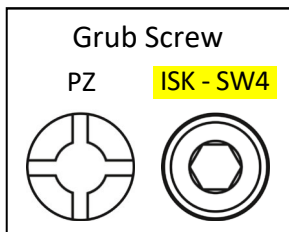
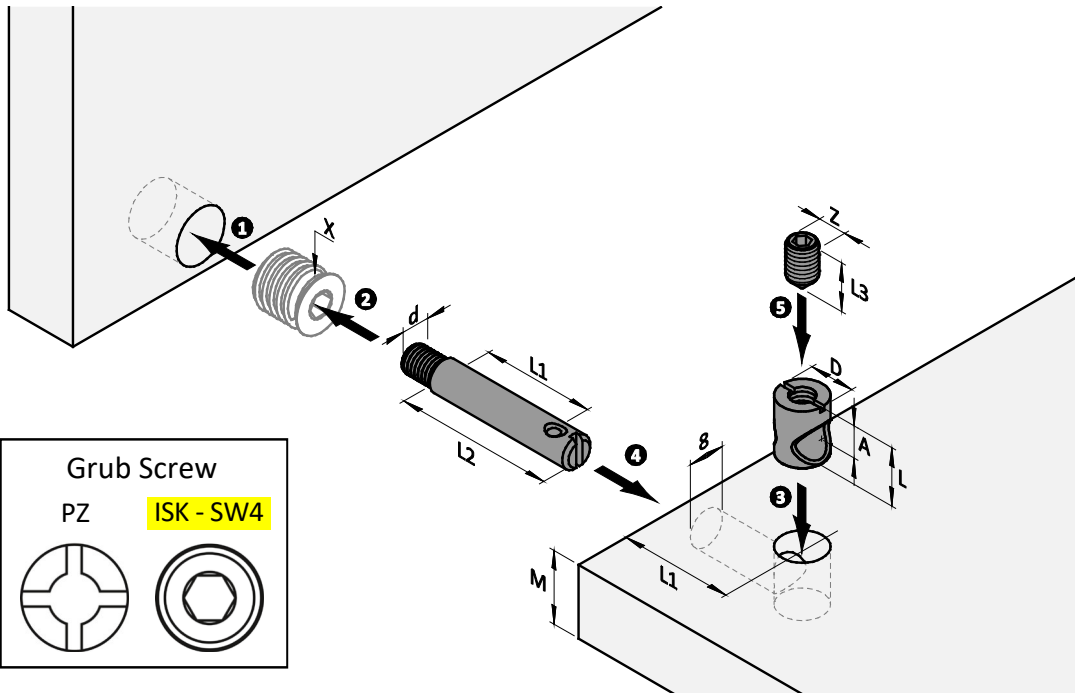
→: Combine Housing with this Grub Screw

M: Board thickness; All dimensions in mm

PV Corner Connector

Consisting of:

- PV Housing $\phi 10$ mm or $\phi 12$ mm
- PV Steel Dowel
- PV Grub Screw PZ
- Insert M6 (ordered separately)



Housing $\phi 10$, $\phi 12$ mm						
	Material	M	L	A	D	qty
D01020		16	12	8,0	10	10
D01021		19	14	9,5	10	10
D01042		19	14	9,5	10	10
D01022		23	16	11,5	10	10
D01023		32	21	16,0	10	10
D02001		19	14	9,5	12	200

Grub Screw			
	L3	Z	qty
D01024	8	M6	10
D01024	8	M6	10
D01043	8	M6	10
D01024	8	M6	10
D01024	8	M6	10
D02003	8	M8	10

Steel Dowel $\phi 7$ mm				
	L1	L2	d	qty
D01025	24	28,5	M6x11	10
D01026	34	38,5	M6x11	10

Please note:

Surface black zinc plated

To order connector set please quote order no. e.g. D01020S24 (this includes appropriate housing, grub screw and dowel) does not include socket alternatively you can order individual components e.g. D01020 + D01024 + D01025

→: Combine Housing with this Grub Screw
X: Matching Inserts M6 on page 52

M: Board thickness; All dimensions in mm

PZ = Pozidrive

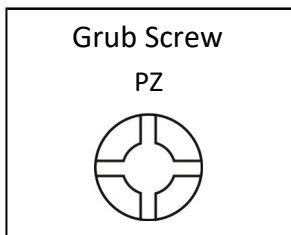
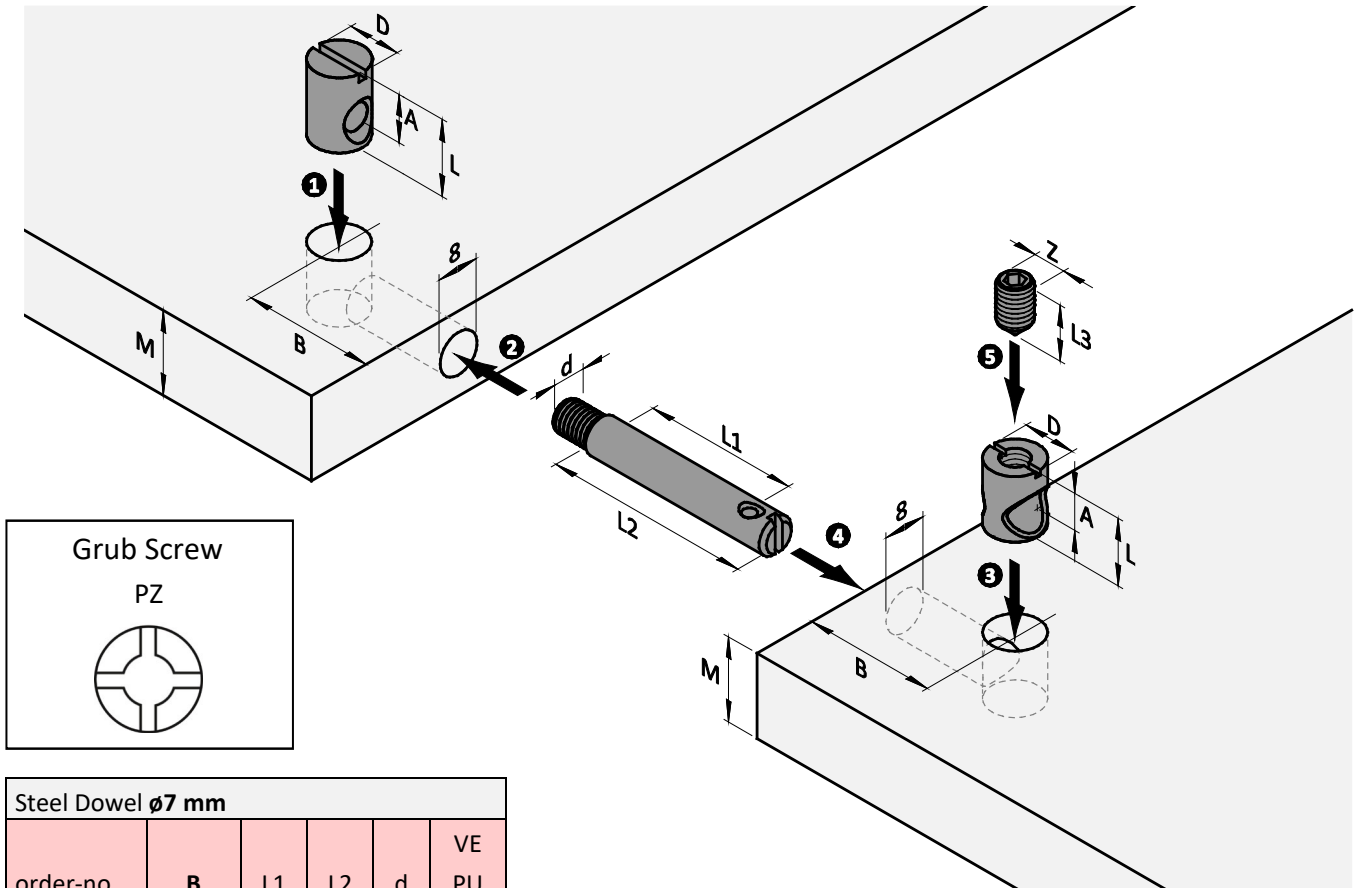
Corner Connection PV 24xx set L1=24, d=M6x11						
Qoder no.	Type	Material thickness	Components			Pack Qty.
			housing	Grub Screw	Dowel	
D01020S24	2416	16	10x D01020	10 x D01024	10x D01025	10
D01021S24	2419	19	10x D01021	10 x D01024	10x D01025	10
D01042S24	2419B	19	10x D01042	10 x D01043	10x D01025	10
D01022S24	2423	23	10x D01022	10 x D01024	10x D01025	10
D01023S24	2432	32	10x D01023	10 x D01024	10x D01025	10

Corner Connection PV 34xx set L1=34, d=M6x11						
Qoder no.	Type	Material thickness	Components			Pack Qty.
			housing	Grub Screw	Dowel	
D01020S34	3416	16	10x D01020	10 x D01024	10x D01026	10
D01021S34	3419	19	10x D01021	10 x D01024	10x D01026	10
D01042S34	3419B	19	10x D01042	10 x D01043	10x D01026	10
D01022S34	3423	23	10x D01022	10 x D01024	10x D01026	10
D01023S34	3432	32	10x D01023	10 x D01024	10x D01026	10

PV Connecting System frontal

Consisting of:

- PV Housing $\phi 10$ mm
- PV Barrel Nuts M6
- PV Grub Screw PZ or ISK
- PV Steel Dowel $\phi 7$ mm



Steel Dowel $\phi 7$ mm					
order-no.	B	L1	L2	d	VE PU
D01056	34	63,0	67,5	M6	200

Housing $\phi 10, \phi 12$ mm					
	Material M	L	A	D	qty
D01020	16	12	8,0	10	10
D01021	19	14	9,5	10	10
D01022	23	16	11,5	10	10
D01023	32	21	16,0	10	10

Grub Screw			
	L3	Z	qty
→ D01024	8	M6	10
→ D01024	8	M6	10
→ D01024	8	M6	10
→ D01024	8	M6	10

Barrel Nut M6				
order-no.	L	A	D	qty
	12	8,0	10	10
	14	9,5		10
D01053	16	11,5	10	10
D01059	21	16,0	10	10

PV Panel Connector Type 7Pxx set L1=34, d=M6x11							
Qoder no.	Type	Material thickness	Components				Pack Qty.
			housing	Grub Screw	Barrel nut M6	Dowel	
D01020P34	7P16	16	10x D01020	10 x D01024	10x D01051	10x D01055	10
D01021P34	7P19	19	10x D01021	10 x D01024	10x D01052	10x D01055	10
D01022P34	7P23	23	10x D01022	10 x D01024	10x D01053	10x D01055	10
D01023P34	7P32	32	10x D01023	10 x D01024	10x D01059	10x D01055	10

Please note:

To order connector set please quote order no. e.g. D01020P34 (this includes appropriate housing, grub screw, barrel nut and dowel) alternatively you can order individual components e.g. D01020 + D01024 + D01025

→: Combine Housing with this Grub Screw

X: Matching Inserts M6 on page 52

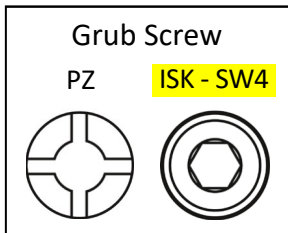
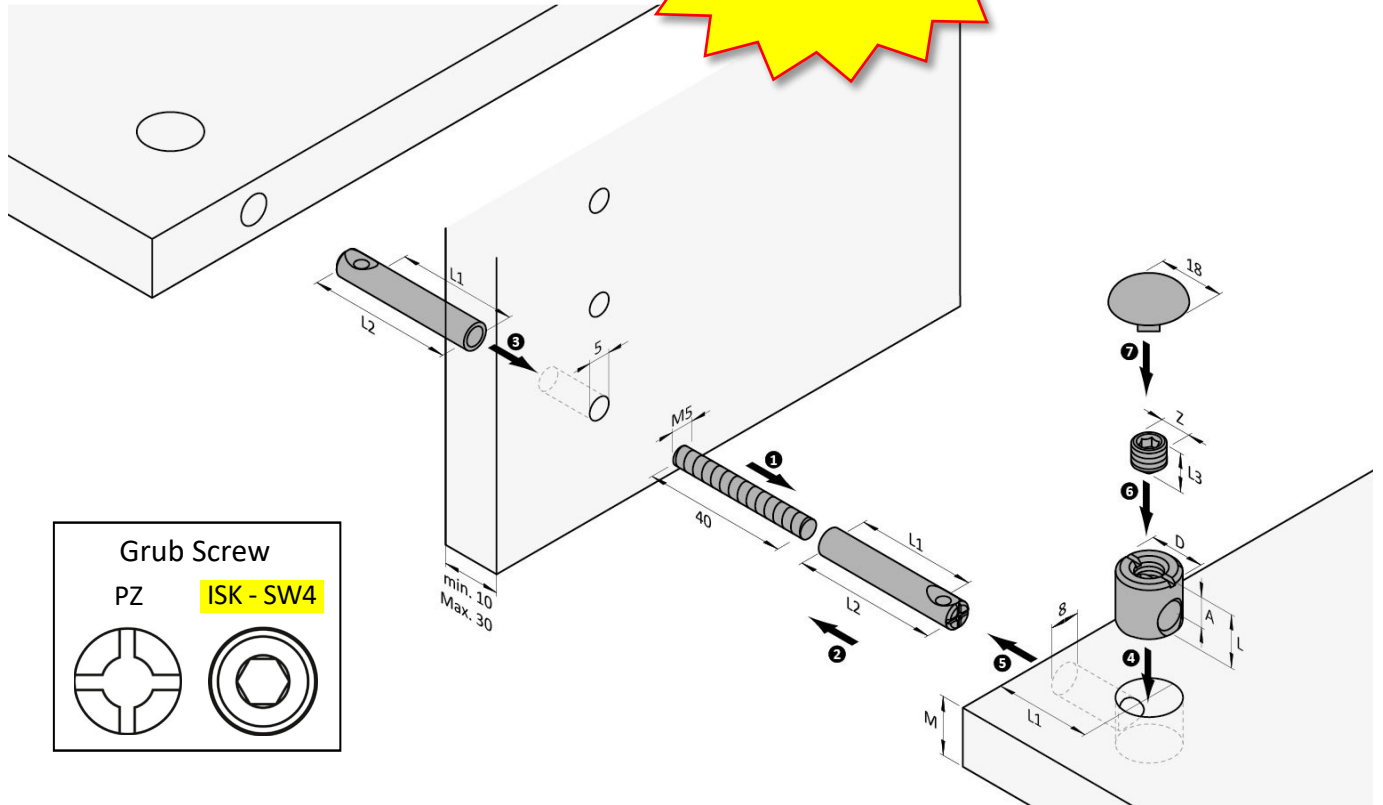
M: Board thickness; All dimensions in mm

PZ = Pozidrive, ISK = Hexagon

PV Connector for Middle Wall

Consisting of:

- PV Housing $\phi 10$ mm and $\phi 12$ mm
- PV Grub Screw PZ or ISK
- PV Double Dowel $\phi 7$ mm
- PV-FF Grub Screw M5x 40 mm



Housing $\phi 10$, $\phi 12$ mm					
	Material	L	A	D	qty
	M				
D01020	16	12	8,0	10	10
D01021	19	14	9,5	10	10
D01042	19	14	9,5	10	10
D01022	23	16	11,5	10	10
D01023	32	21	16,0	10	10
D02001	19	14	9,5	12	10

Grub Screw			
	L3	Z	qty
→ D01024	8	M6	10
→ D01024	8	M6	10
→ D01043	8	M6	10
→ D01024	8	M6	10
→ D01024	8	M6	10
→ D02003	8	M8	10

Double Dowel $\phi 7$ mm				
order-no.	L1	L2	d	...
D01038	34	41	7,0	10

Grub Screw M5x 40 mm				
order-no.	L1	L2	d	...
D02026			5,0	5

PV Corner Connection Type 4Mxx set L1=34,							
Qoder no.	Type	Material thickness	Components				Pack Qty.
			housing	Grub Screw	Dowel	Grub screw M5x40	
D01020M44	4M16	16	10x D01020	10 x D01024	10x D01038	5x D02026	10
D01021M44	4M19	19	10x D01021	10 x D01024	10x D01038	5x D02026	10
D01042M44	4M19B	19	10x D01042	10 x D01043	10x D01038	5x D02026	10
D01022M44	4M23	23	10x D01022	10 x D01024	10x D01038	5x D02026	10
D01023M44	4M32	32	10x D01023	10 x D01024	10x D01038	5x D02026	10
D02001M44	4M19L	19	10x D02001	11 x D02003	10x D01038	5x D02026	10

Please note:

Surface black zinc plated

To order connector set please quote order no. e.g. D01020S24 (this includes appropriate housing, grub screw and dowel) does not include socket alternatively you can order individual components e.g. D01020 + D01024 + D01025

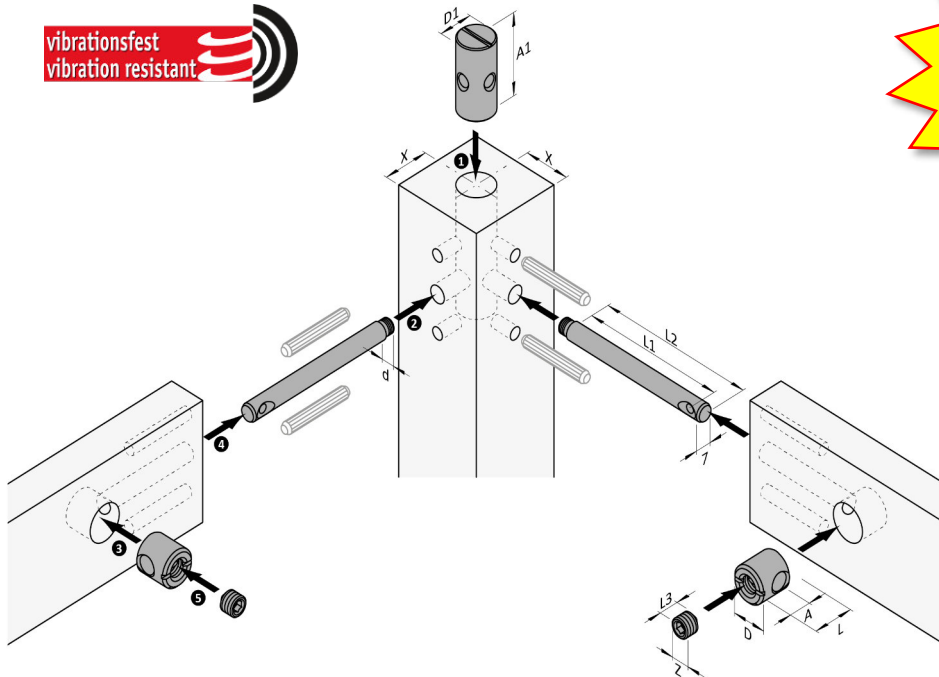
→: Combine Housing with this Grub Screw

M: Board thickness; All dimensions in mm
PZ = Pozidrive, ISK = Hexagonal

PV Cross Connector 90°

Consisting of:

- 2x PV Housing $\varnothing 10, \varnothing 12$ mm (also FF Housing suitable)
- 2x PV Grub Screw PZ or ISK
- 2x PV-FF Steel Dowel $\varnothing 7$ mm, 90°
- 1x PV-FF Barrel Nut $\varnothing 15$ mm, symmetric 2x M6 at 90° (30mm or 50mm long)



Housing $\varnothing 10, \varnothing 12$ mm					
	Material	L	A	D	qty
D01020	16	12	8,0	10	10
D01021	19	14	9,5	10	10
D01042	19	14	9,5	10	10
D01022	23	16	11,5	10	10
D01023	32	21	16,0	10	10
D02001	19	14	9,5	12	10

Grub Screw			
	L3	Z	qty
D01024	8	M6	10
D01024	8	M6	10
D01043	8	M6	10
D01024	8	M6	10
D01024	8	M6	10
D02003	8	M8	10

Steel Dowel $\varnothing 7$ mm				
order-no.	L1	L2	d	VE PU
D02037	70,5	68,0	M6x5	10

Barrel Nut $\varnothing 15$ mm				
order -no.	D1	A1		qty
D02035	$\varnothing 15$	50,0		5
D02036	$\varnothing 15$	30,0		5

PV Cross Connection Type 3Cxx set L1=70.5, d=M6x5							
Qoder no.	Type	Material thickness	Components				Pack Qty.
			housing	Grub Screw	Dowel	Barrel nut 15mm	
D01020C30	3C16	16	10x D01020	10 x D01024	10x D02037	5x D02036	10
D01021C30	3C19	19	10x D01021	10 x D01024	10x D02037	5x D02036	10
D01042C30	3C19B	19	10x D01042	10 x D01043	10x D02037	5x D02036	10
D01022C30	3C23	23	10x D01022	10 x D01024	10x D02037	5x D02036	10
D01023C30	3C32	32	10x D01023	10 x D01024	10x D02037	5x D02036	10
D02001C30	3C19L	19	10x D02001	11 x D02003	10x D02037	5x D02036	10

PV Cross Connection Type 5Cxx set L1=70.5, d=M6x5							
Qoder no.	Type	Material thickness	Components				Pack Qty.
			housing	Grub Screw	Dowel	Barrel nut 15mm	
D01020C30	5C16	16	10x D01020	10 x D01024	10x D02037	5x D02035	10
D01021C30	5C19	19	10x D01021	10 x D01024	10x D02037	5x D02035	10
D01042C30	5C19B	19	10x D01042	10 x D01043	10x D02037	5x D02035	10
D01022C30	5C23	23	10x D01022	10 x D01024	10x D02037	5x D02035	10
D01023C30	5C32	32	10x D01023	10 x D01024	10x D02037	5x D02035	10
D02001C30	5C19L	19	10x D02001	11 x D02003	10x D02037	5x D02035	10

Please note:

Housing drilling distance 70,5mm - X
Surface black zinc plated

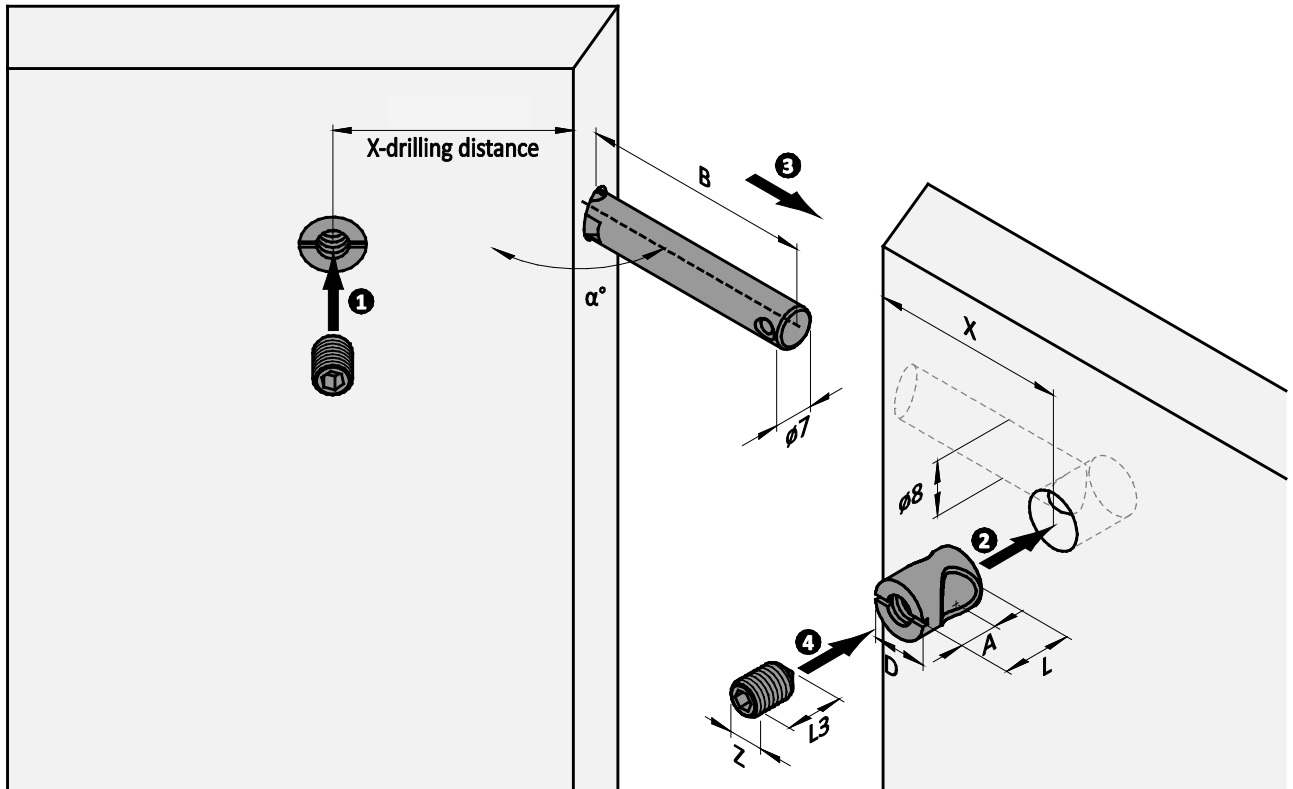
To order connector set please quote order no. e.g. D01020C30 (this includes appropriate housing, grub screw and dowel) does not include socket alternatively you can order individual components e.g. D01020 + D01024 + D02037 + D02035

→: Combine Housing with this Grub Screw
M: Board thickness; All dimensions in mm
PZ = Pozidrive

PV Mitre Connector two sided (2S)

Consisting of:

- 2x PV Housing $\phi 10$ mm and $\phi 12$ mm
- 2x PV Grub Screw PZ or ISK
- 1x PV Mitre Dowel $\phi 7$ mm



Housing $\phi 10, \phi 12$ mm						
	Material	M	L	A	D	qty
D01020	16	12	8,0	10	10	
D01021	19	14	9,5	10	10	
D01042	19	14	9,5	10	10	
D01022	23	16	11,5	10	10	
D01023	32	21	16,0	10	10	
D02001	19	14	9,5	12	10	

Grub Screw			
	L3	Z	qty
D01024	8	M6	10
D01024	8	M6	10
D01043	8	M6	10
D01024	8	M6	10
D01024	8	M6	10
D02003	8	M8	10

Mitre Dowel $\phi 7$ mm				
order-nr.	ϕ	L1	B/B	qty
D01040	7	91	39,5/39,5	5

Please note:

Surface black zinc plated

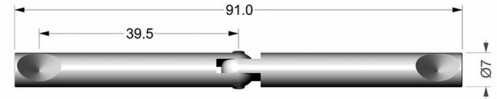
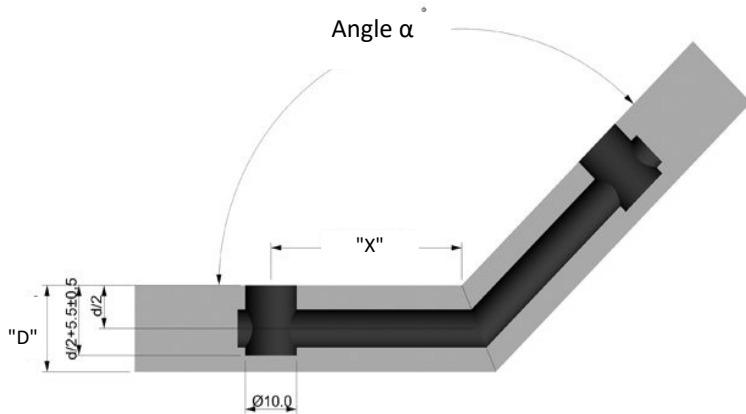
To order connector set please quote order no. e.g. D01020S2S (this includes appropriate housing, grub screw and dowel) does not include socket alternatively you can order individual ts e.g. D01020 + D01024 + D01040

->: Combine Housing with this Grub Screw
M: Board thickness; All dimensions in mm
PZ = Pozidrive

PV Mitre Connection Type 2Sxx set L1=91						
Qoder no.	Type	Material thickness	Components			Pack Qty.
			Housing	Grub Screw	Dowel	
D01020S2S	2S16	16	10x D01020	10 x D01024	5x D01040	10
D01021S2S	2S19	19	10x D01021	10 x D01024	5x D01040	10
D01042S2S	2S19B	19	10x D01042	10 x D01043	5x D01040	10
D01022S2S	2S23	23	10x D01022	10 x D01024	5x D01040	10
D01023S2S	2S32	32	10x D01023	10 x D01024	5x D01040	10
D02001S2S	2S19L	19	10x D02001	10 x D02003	5x D01040	10

PV Mitre Connector two sided (2S)

Drilling distances



Drilling distance "X" (theor.) in mm for
PV Mitre Dowel 7 mm Tolerance: -0,5/
+0,5 mm

A test with a sample is recommended!

Angle α	board thickness "D" (mm)							
	16,0	18,0	19,0	22,0	23,0	25,0	28,0	29,0
65°	27,5	26,0	25,0	23,0	22,0	20,5	18,0	17,0
70°	28,5	27,0	26,5	24,5	23,5	22,0	20,0	19,5
75°	29,5	28,5	27,5	25,7	25,0	23,7	22,0	21,0
80°	30,5	28,5	27,5	26,0	25,0	24,0	22,0	21,0
85°	31,5	30,0	29,5	28,0	27,5	26,5	25,0	24,0
90°	32,0	31,0	30,5	29,0	28,5	27,5	26,0	25,5
95°	32,5	32,0	31,5	30,0	29,5	28,5	27,0	26,5
100°	33,5	32,5	32,0	31,0	30,5	29,5	28,5	28,0
105°	34,0	33,0	32,5	32,5	31,0	30,5	29,5	29,0
110°	34,5	33,5	33,5	32,5	32,0	31,0	30,0	30,0
115°	35,0	34,5	34,0	33,0	32,5	32,0	31,0	31,0
120°	35,5	35,0	34,5	34,0	33,5	33,0	32,0	31,5
125°	36,0	35,5	35,0	34,5	34,0	33,5	32,5	32,5
130°	36,5	36,0	35,5	35,0	34,5	34,0	33,5	33,0
135°	36,5	36,5	36,0	35,5	35,0	35,0	34,0	34,0
140°	37,0	36,5	36,5	36,0	36,0	35,5	35,0	34,5
145°	37,5	37,0	37,0	36,5	36,5	36,0	35,5	35,5
150°	38,0	37,5	37,5	37,0	37,0	36,5	36,0	36,0
155°	38,0	38,0	38,0	37,5	37,5	37,0	37,0	37,0
160°	38,5	38,5	38,5	38,0	38,0	38,0	37,5	37,5
165°	39,0	39,0	38,5	38,5	38,5	38,5	38,0	38,0
170°	39,5	39,0	39,0	39,0	39,0	39,0	39,0	38,5
175°	39,5	39,5	39,5	39,5	39,5	39,5	39,5	39,5
180°	40,0	40,0	40,0	40,0	40,0	40,0	40,0	40,0

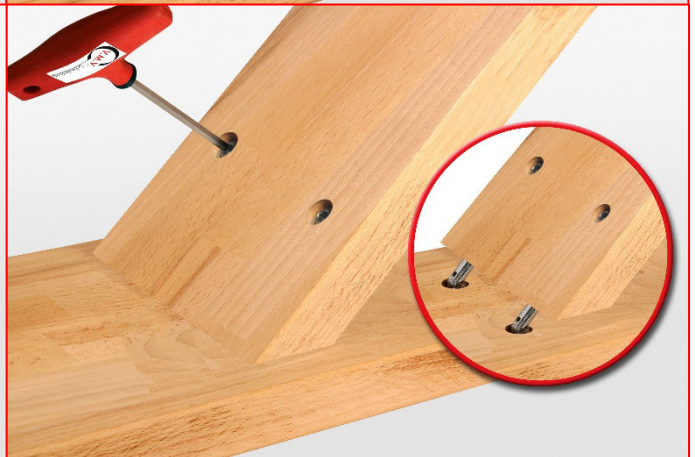
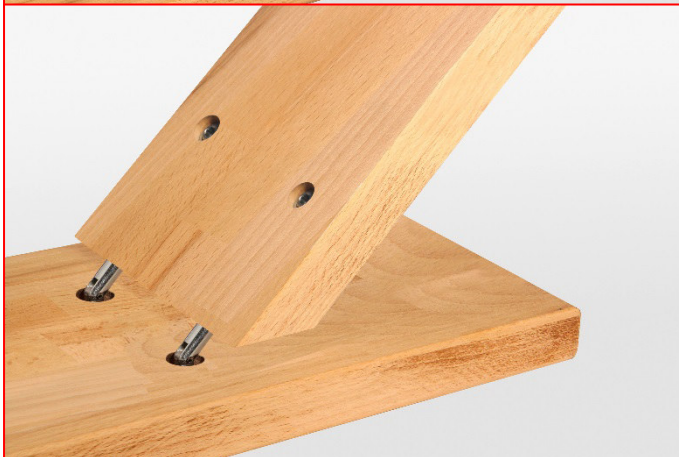
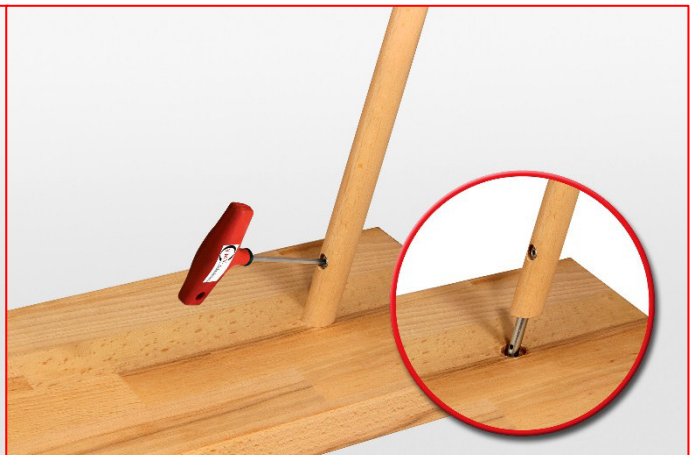
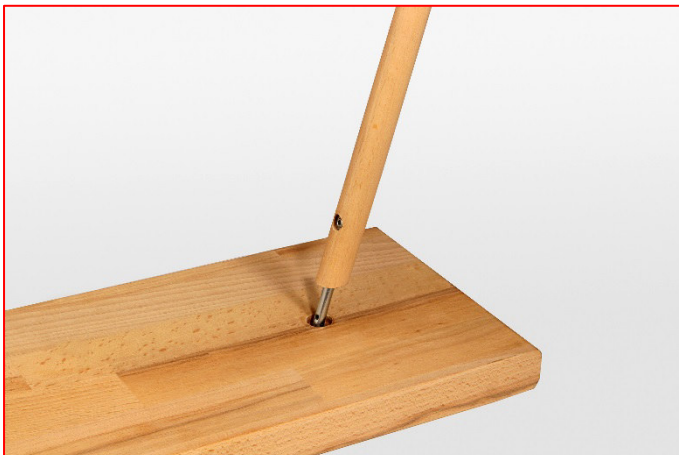
PV Mitre Connector one sided (1S)

Consisting of:

- PV Housing \varnothing 10 mm
- PV Grub Screw SW3, PZ2
- PV Mitre Dowel one sided \varnothing 7 mm
- Insert M6

Stahl
Steel

vibrationsfest
vibration resistant



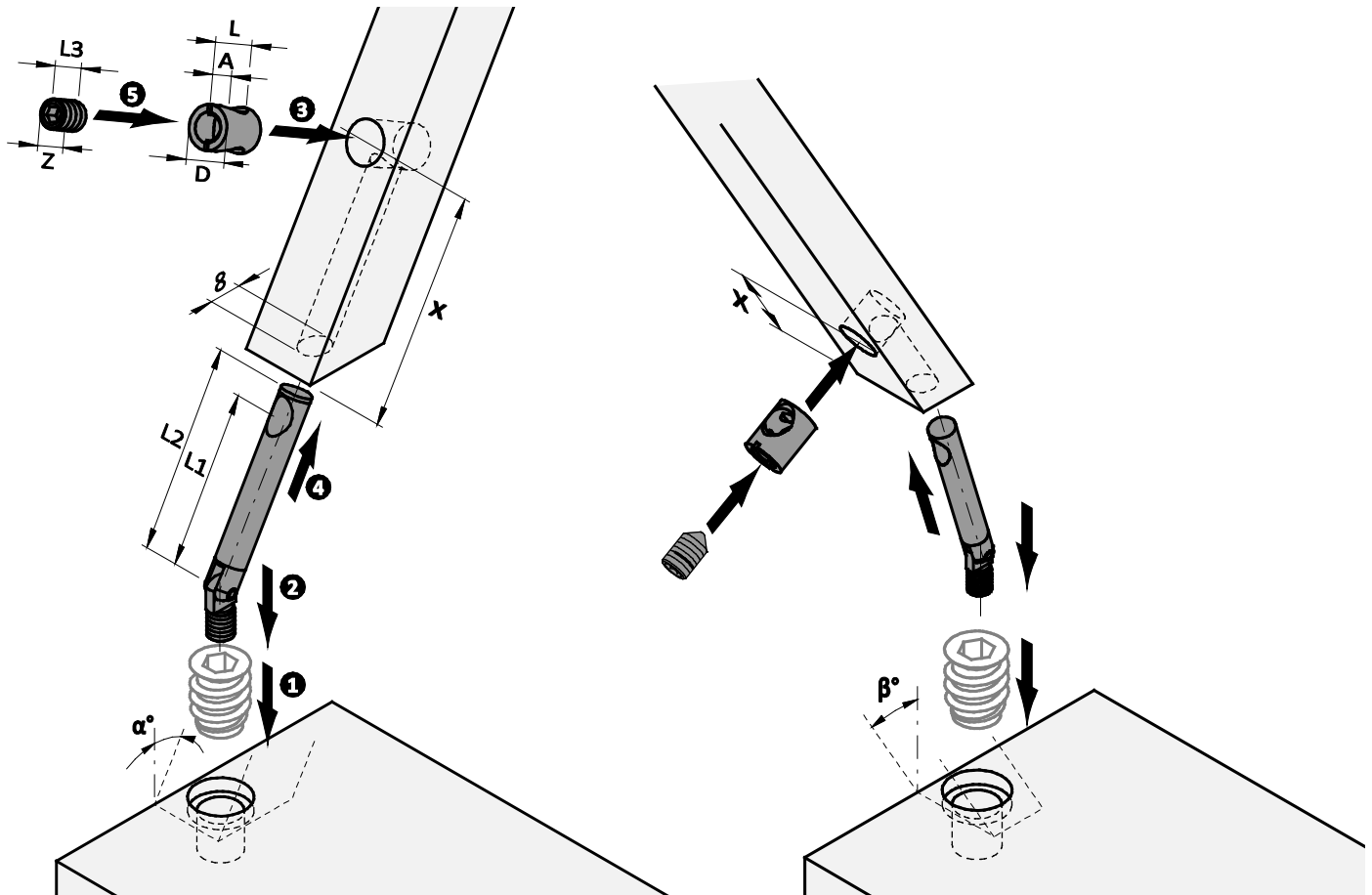
Specification

- High strength tightening forces, pull up to 3.5 mm
- Vibration resistant!
- Ideal for dismountable furniture
- Completely made of steel
- All parts zinc plated or nickel plated
- Suitable for board thickness of 15 mm and more
- No need for additional glue or dowel
- No side movements possible
- Higher than average rate of firmness

PV Mitre Connector one sided (1S)

Consisting of:

- 1x PV Steel Housing PV ϕ 10 mm
- 1x PV Mitre Dowel one sided ϕ 7 mm
- 1x PV Grub Screw SW3, PZ2
- 1x Insert M6 (not included in the set)



Housing ϕ 10, ϕ 12 mm					
	Material	L	A	D	qty
D01020	M 16	12	8,0	10	10
D01021	M 19	14	9,5	10	10
D01042	M 19	14	9,5	10	10
D01022	M 23	16	11,5	10	10
D01023	M 32	21	16,0	10	10
D02001	M 19	14	9,5	12	10

Grub Screw			
	L3	Z	qty
→ D01024	8	M6	10
→ D01024	8	M6	10
→ D01043	8	M6	10
→ D01024	8	M6	10
→ D01024	8	M6	10
→ D02003	8	M8	10

Mitre Dowel ϕ 7 mm				
order-nr.	ϕ	L1	B/B	qty.
D01041	7	43,0	49,0	25

PV Mitre Connection Type 1Sxx set L1=91						
Qoder no.	Type	Material thickness	Components			Pack Qty.
			Housing	Grub Screw	Dowel	
D01020S1S	1S16	16	5x D01020	5 x D01024	5x D01041	5
D01021S1S	1S19	19	5x D01021	5 x D01024	5x D01041	5
D01042S1S	1S19B	19	5x D01042	5 x D01043	5x D01041	5
D01022S1S	1S23	23	5x D01022	5 x D01024	5x D01041	5
D01023S1S	1S32	32	5x D01023	5 x D01024	5x D01041	5
D02001S1S	1S19L	19	5x D02001	5 x D02003	5x D01041	5

Please note:

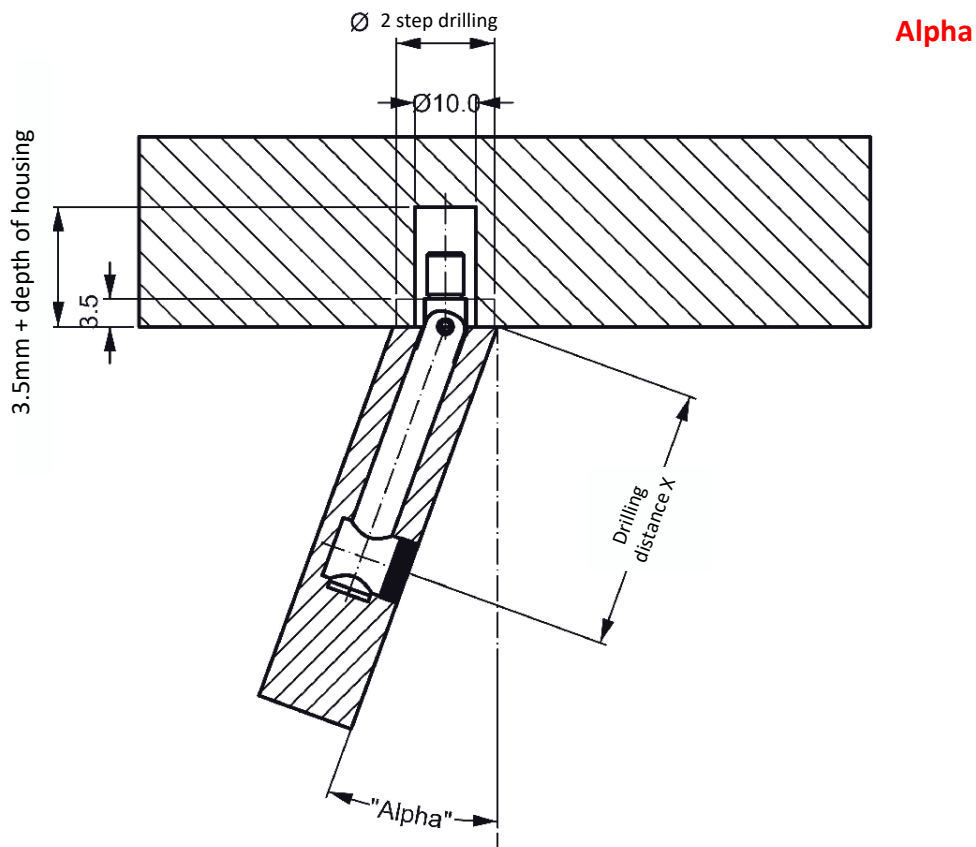
Surface black zinc plated

To order connector set please quote order no. e.g. D01020S2S (this includes appropriate housing, grub screw and dowel) does not include socket alternatively you can order individual ts e.g. D01020 + D01024 + D01040

→: Combine Housing with this Grub Screw
 X: Matching Inserts M6 on page 45
 M: Board thickness; All dimensions in mm
 PZ = Pozidrive

XS Mitre Connector one sided (1S)

Drilling distances

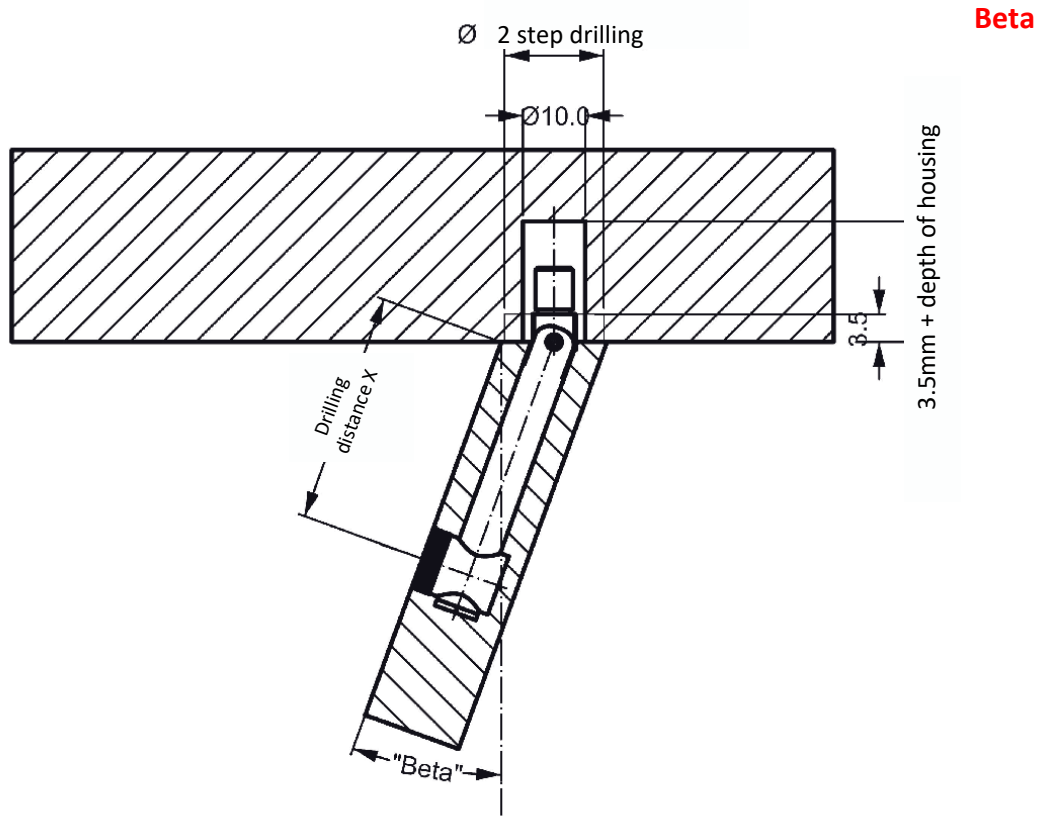


Alpha	Board thickness (mm)										
Angle α	16,0	18,0	19,0	22,0	23,0	25,0	28,0	29,0	31,0	33,0	2-step-drilling ϕ
0°	40,0	40,0	40,0	40,0	40,0	40,0	40,0	40,0	40,0	40,0	no
5°	40,5	41,0	41,0	41,0	41,0	41,0	41,0	41,5	41,5	41,5	no
10°	41,5	41,5	41,5	42,0	42,0	42,0	42,5	42,5	42,5	41,5	no
15°	42,0	42,5	42,5	43,0	43,0	43,5	44,0	44,0	44,0	43,0	no
20°	43,0	43,5	43,5	44,0	44,0	44,5	45,0	45,5	45,5	44,5	no
25°	43,5	44,0	44,5	45,0	45,5	46,0	46,5	47,0	47,0	46,0	no
30°	44,5	45,0	45,5	46,5	46,5	47,0	48,0	48,5	49,0	47,5	no
35°	45,5	46,5	46,5	47,5	48,0	49,0	50,0	50,0	51,0	49,5	no
40°	46,5	47,5	48,0	49,0	49,5	50,5	51,5	52,0	53,0	51,5	no
45°	48,0	49,0	49,5	51,0	51,5	52,5	54,0	54,5	55,5	54,0	no
50°	49,5	50,5	51,5	53,0	53,5	55,0	46,5	57,5	58,5	56,5	no
55°	54,5	53,0	53,5	55,5	45,5	58,0	60,0	60,5	62,0	59,5	12,0
60°	54,0	55,5	56,5	59,0	60,0	61,5	64,0	65,0	67,0	63,5	14,0
65°	57,0	59,5	60,5	63,5	64,5	67,0	70,0	71,0	73,5	68,5	17,0
70°	62,0	64,5	66,0	70,0	71,5	74,5	78,5	80,0	82,5	85,5	21,0
75°	70,0	73,5	75,5	81,0	83,0	86,5	92,0	94,0	98,0	101,5	28,0

Drilling distance "X" (theor.) in mm for Mitre Dowel ϕ 10 mm, Tolerance: -0,5/+1,0 mm, A test with a sample is recommended!

XS Mitre Connector one sided (2S)

Drilling distances



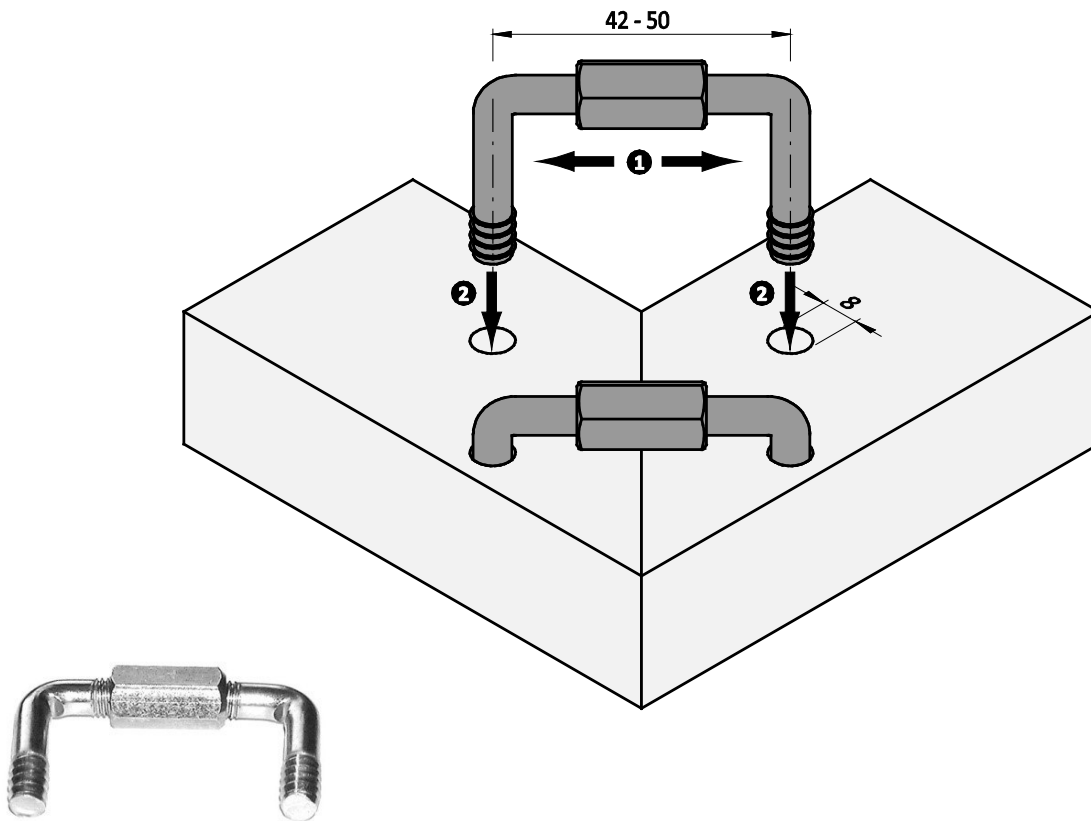
Beta Angle β	board thickness (mm)										2-step-drilling ϕ
	16,0	18,0	19,0	22,0	23,0	25,0	28,0	29,0	31,0	33,0	
0°	40,0	40,0	40,0	40,0	40,0	40,0	40,0	40,0	40,0	40,0	no
5°	39,5	39,0	39,0	39,0	39,0	39,0	38,5	38,5	38,5	38,5	no
10°	38,5	38,5	38,5	38,0	38,0	38,0	37,5	37,5	37,5	37,0	no
15°	38,0	37,5	37,5	37,0	37,0	36,5	36,0	36,0	36,0	35,5	no
20°	37,0	36,5	36,5	36,0	36,0	35,5	35,0	34,5	34,5	34,0	no
25°	36,5	36,0	35,5	35,0	35,5	34,0	33,5	33,0	33,0	32,5	no
30°	35,5	35,0	34,5	33,5	33,5	33,0	32,0	31,5	31,0	30,5	no
35°	34,5	33,5	33,5	32,5	32,0	31,0	30,0	30,0	29,0	28,5	no
40°	33,5	32,5	32,0	31,0	30,5	29,5	28,5	28,0	27,0	26,0	no
45°	32,0	31,0	30,5	29,0	28,5	27,5	26,0	25,5	24,5	23,5	no
50°	30,5	29,5	28,5	27,0	26,5	25,0	23,5	22,5	21,5	20,5	no
55°	28,5	27,0	26,5	24,5	23,5	22,0	20,0	19,5	18,0	16,5	12,0
60°	26,0	24,5	23,5	21,0	20,0	18,5	16,0	15,0	13,0	11,5	14,0
65°	23,0	20,5	19,5	16,5	15,5	13,0	10,0				17,0
70°	18,0	15,5	14,0	10,0	8,5						21,0
75°	10,0	4,5	4,5								28,0

Drilling distance "X" (theor.) in mm for Mitre Dowel ϕ 10 mm, Tolerance: -0,5/+1,0 mm, A test with a sample is recommended!

Universal Steel Connector

Specification

- Multifunctional adjustable from 42-50 mm, use $\varnothing 8$ mm drillings
- Examples of use
 - as cornice connector
 - to repair built-in-furniture
 - to connect futon beds



Universal Steel Connector			
order-no.	adjustable	drillings	qty
D01001	42 - 50 mm	$\varnothing 8$ mm	5

Please note

All dimensions in mm

Herkules Connector made of Steel

Steel connector ideal to connect heavy duty wood components

Description

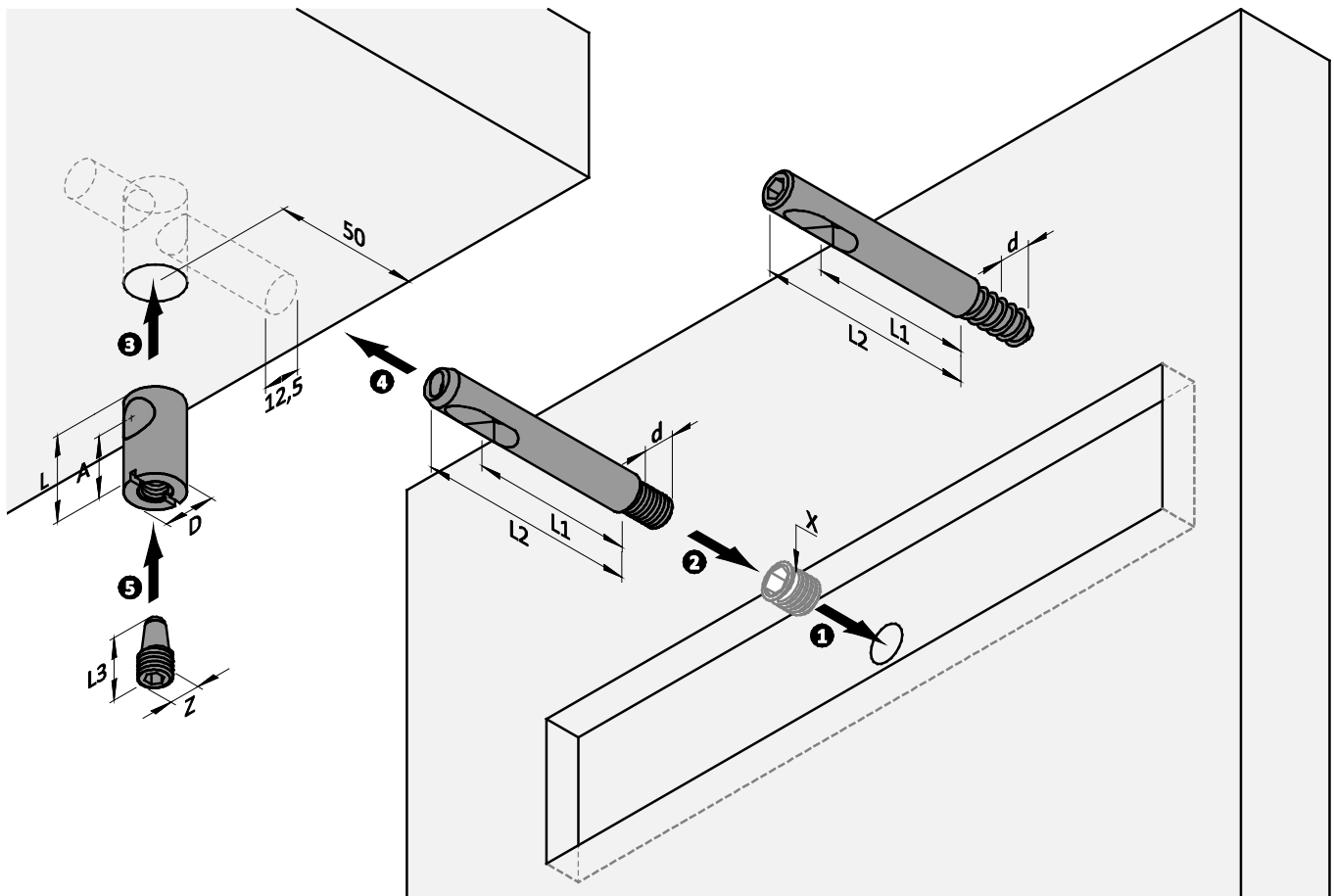
- High strength tightening forces with distance of 18-20 mm
- 8 turns to connect
- Easy to mount
- For board thickness of 40 mm and more
- Only a $\varnothing 18$ mm hole in the bottom is visible
- Cover Caps can cover up holes
- Completely made of steel
- Surface zinc plated



Herkules Connector made of steel

1 Set consisting of:

- 1x Herkules Housing $\varnothing 18$ mm
- 1x Herkules Steel Dowel $\varnothing 12$ mm
- 1x Herkules Grub Screw M10, ISK (hexagon)



Set	Housing $\varnothing 18$ mm				Steel Dowel $\varnothing 12$ mm			Grub Screw M10		
order-no.	Material	L	A	D	L1	L2	d	L3	Z	quantity
D01102	40	30	21	18	+	50	75	M10 x 15	+	21 ISK 2 Sets
D01103	40	30	21	18	+	50	75	M10 x 15	+	21 ISK 10 Sets
D01104	40	30	21	18	+	50	75	EURO $\varnothing 10 \times 25$	+	21 ISK 2 Sets
D01105	40	30	21	18	+	50	75	EURO $\varnothing 10 \times 25$	+	21 ISK 10 Sets

Hinweis / Please note

X: Matching Inserts M10 on page 45

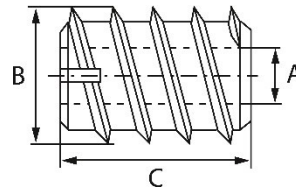
M: Board thickness; All dimensions in mm

EURO-thread for $\varnothing 8$ mm holes

Insert, Steel Socket



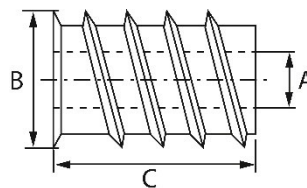
Insert with **slotted top**, zinc plated



Insert with slotted top

order-no.	A	B	C	Pilot hole	ISK hexagon	pack size
D01120	M4	ø6,5	8,0	ø5,0	-	20
D01121	M4	ø8,0	8,0	ø6,5	-	20
D01122	M6	ø12,0	10,0	ø10,0	-	20
D01123	M6	ø12,0	12,0	ø10,0	-	20
D01124	M6	ø12,0	15,0	ø10,0	-	20
D01125	M6	ø12,0	18,0	ø10,0	-	20
D01126	M6	ø12,0	20,0	ø10,0	-	20
D01127	M6	ø12,0	25,0	ø10,0	-	20
D01128	M8	ø14,0	15,0	ø12,0	-	20
D01129	M8	ø14,0	18,0	ø12,0	-	20
D01131	M10	ø16,0	18,0	ø14,0	-	10

Insert with **hexagon and collar**, zinc plated



Insert, hexagon

order-no.	A	B	C	Pilot hole	ISK hexagon	pack size
D01200	M4	ø8,0	10,0	ø6,5	SW4	20
D01201	M5	ø10,0	12,0	ø8,5	SW5	20
D01203	M6	ø12,0	12,0	ø10,0	SW6	20
D01204	M6	ø12,0	15,0	ø10,0	SW6	20
D01205	M6	ø12,0	18,0	ø10,0	SW6	20
D01206	M8	ø14,0	15,0	ø12,0	SW8	20
D01207	M8	ø14,0	18,0	ø12,0	SW8	20
D01208	M10	ø18,5	20,0	ø16,0	SW10	10
D01209	M8	ø16,0	18,0	ø14,0	SW8	20

Please note
All dimensions in mm

Insertion Jig for Sockets – “Always vertical, never oblique!”

Description

The socket insertion jig reliably supports the safe and straight insertion of sockets. It has a magnetic socket input and the screw depth is adjustable. It was developed by practitioners and is ergonomically designed. The installation allows an easy positioning and precise screwing of the sockets saving you not only time but also frustration. It is portable and therefore a great tool to insert missing sockets on site at the customer's.

order-no.: **D04000**



1 set consisting of:

- 1x Insertion Jig for Sockets
- 1x Hexagon Socket Set M6 (1/4" acc. to DIN 7422)
- 1x Hexagon Socket Set M8 (1/4" acc. to DIN 7422)
- 100x Hexagon Insert M6x 15mm (order-no.: D01204)
- 100x Hexagon Insert M8x 15mm (order-no.: D01206)

Please note

The installation is suitable for all standard Inserts M6 and M8 with ISK 6/8 mm. It can also be extended to suit other sizes through an aiming jig (1/4" acc. to DIN 7422).